

A revolutionary MPDP

Infinitely Expandable MPDP

MPDP

A revolutionary MPDP
Infinitely Expandable MPDP

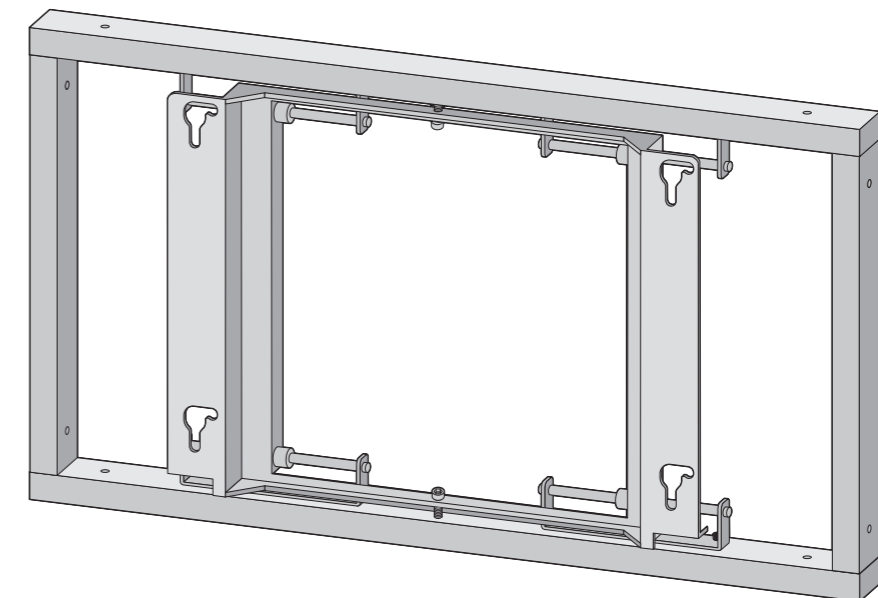
MPDP

User's Manual

STAND UNIT / WALL UNIT MAIN FRAME

ORION PDP CO.,LTD.
www.oriondisplay.net

Address: 257, Gongdan-dong, Gumi-si, Gyeongsangbuk-do, Korea
Tel : +82-2-6678-8533, Fax: +82-2-6678-8599



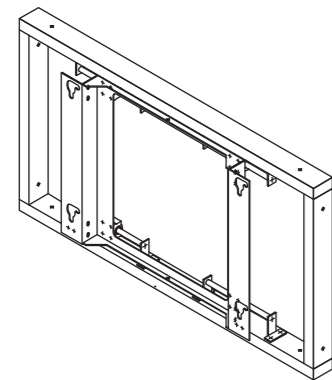
Thank you for purchasing our MPDP.
Please read through this user's manual for safety before installing this product.

Contents

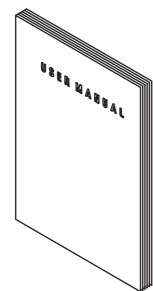
Accessory	2
OPTIONAL	2
STAND UNIT	3
1. Safety Precaution.....	4
2. Installing Stand (3 X 3).....	6
3. Installing MPDP	14
4. Adjusting the gaps between MPDP sets with an adjuster.....	17
5. Setting MPDP ID configuration and Connection (3X3)	18
WALL UNIT	19
1. Safety Precaution.....	20
2. Checking the location for installation.....	22
3. Fixing Anchor and Bolt	23
4. Installing wall bracket (3X3).....	24
5. Installing MPDP	32
6. Adjusting the gaps between MPDP sets with an adjuster. ...	36

Accessory

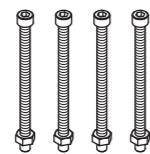
MAIN FRAME Accessories



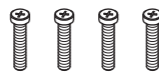
MAIN FRAME 1EA



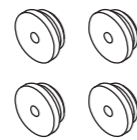
USER MANUAL 1EA(1BOX)



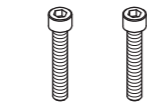
BOLT M8*80 + NUT M8 4EA



Round headed BOLT M5*25L 4EA



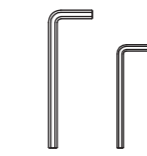
PEG 4EA



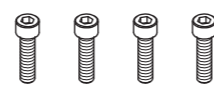
BOLT M6*25 2EA
Included in a product assembly



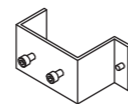
Y-AXIS LINK 1EA
(Main frame link)



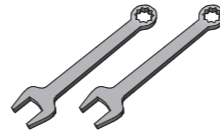
TOOL SET 1SET(1BOX)
5mm 2.5mm



BOLT M6*12 4EA

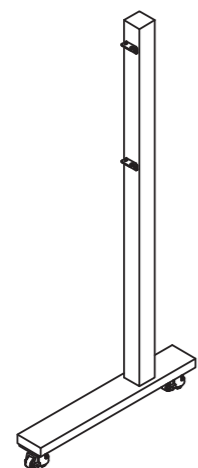


FIX BRACKET 1EA

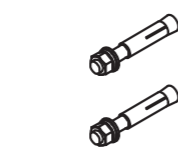
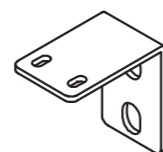


SPANNER 2EA
13mm

OPTIONAL



STAND FOOT

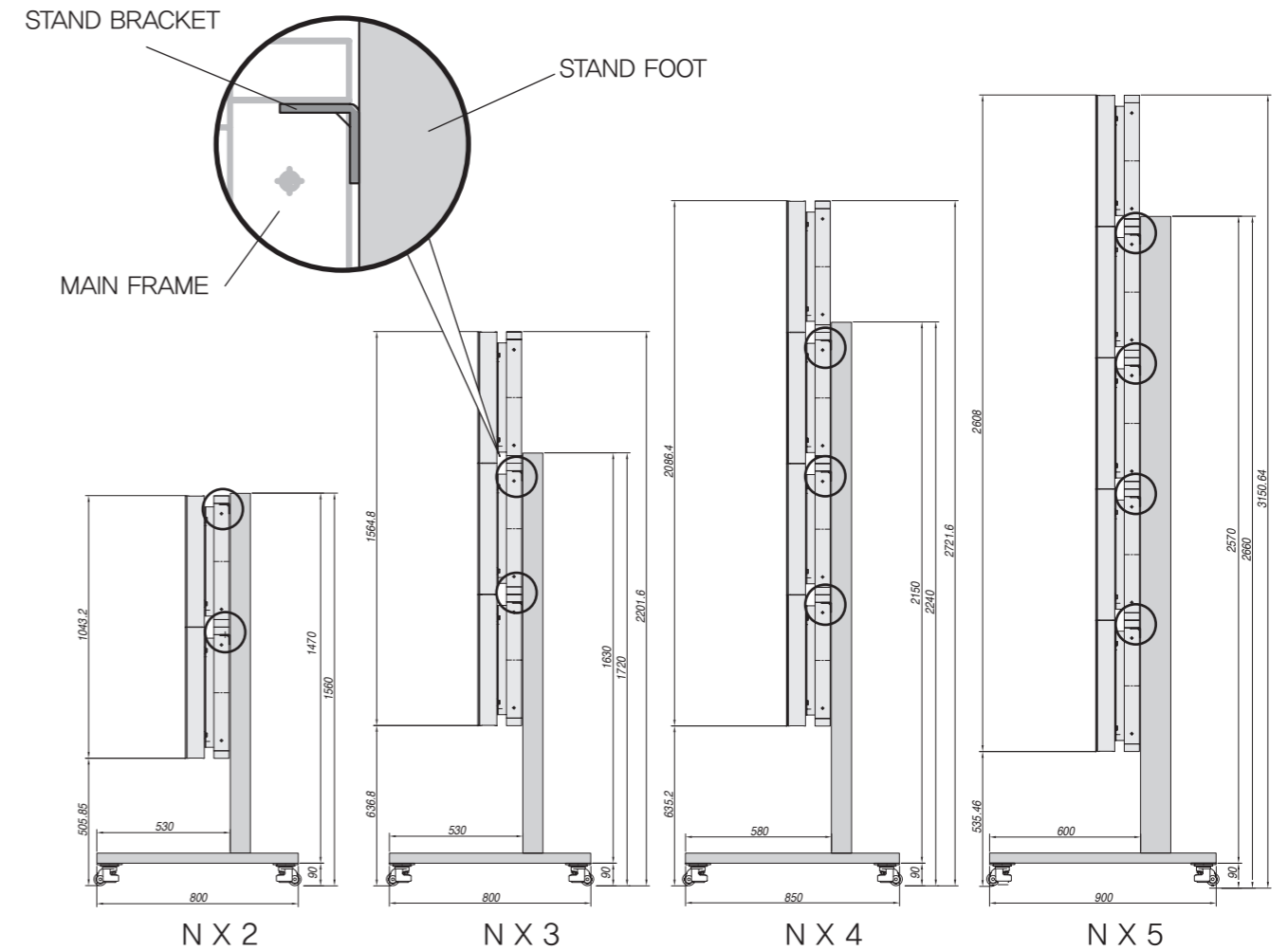


ANCHOR BOLT 3/8" 2EA

WALL BRACKET

STAND UNIT

- ★ This manual describes the installation case for 3X3 sets.
- ★ There are 4 different types of stand. Please select a stand type as you need.



※ In case of NX3, NX4, or NX5 set formations, there is no stand bracket for the top line of main frames. However, it is designed to firmly fasten the main frames of the top line to the main frames of the next line.

	Screen size (mm)	
	MIS-4210 / MIS-4220R / MIS-4230R	MIS-4220 / MIS-4230 / MIS-4230T
1 X 1	926.24 X 523.6	924.6 X 521.8
2 X 2	1852.48 X 1047.2	1849.2 X 1043.6
3 X 3	2778.72 X 1570.8	2773.8 X 1565.4
4 X 4	3704.96 X 2094.4	3698.4 X 2087.2
5 X 5	4631.2 X 2618.0	4623.0 X 2609.0

1. Safety Precaution

- ★ Please read and understand this manual fully before installation.
- ★ Please hand over this manual to customers after installation and ask to read and keep this manual for future use.

※Please keep all the cautions and warnings for proper use of the product and prevent possible accident or hazard.
 ※You can find "CAUTION" and "WARNING" signs in this manual. Each sign has following meaning.

! WARNING If the user does not comply with this instruction, serious injuries or death can be caused.

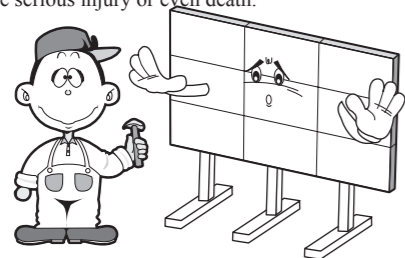
! CAUTION If the user does not comply with this instruction, minor injuries or product damage can be caused.

! WARNING

Installation must be done by the skilled persons designated by sales agent or dealership.

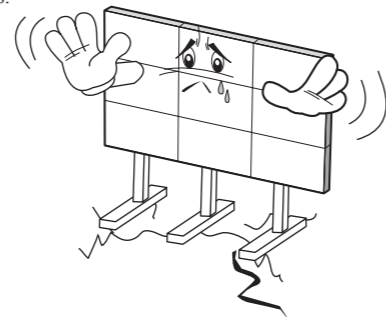
Installation work can be very dangerous for inexperienced person.

It may cause serious injury or even death.



Do not install at unstable locations that cannot withstand product weight.

In case of weak floor or ground, product may fall and cause injuries.



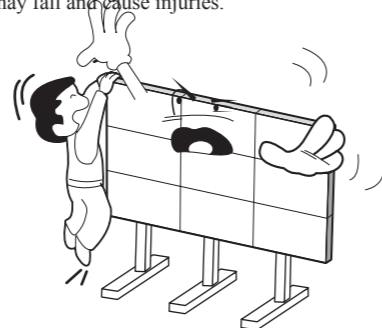
If you need to move or replace the product, please contact with skilled persons designated by sales agent or dealership

If users move or install the product without proper skill and experience, it may cause safety problem.



Do not hang on the product and avoid severe impact to the product.

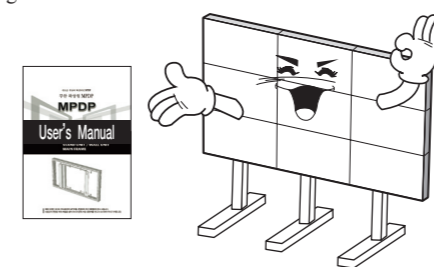
Product may fall and cause injuries.



! CAUTION

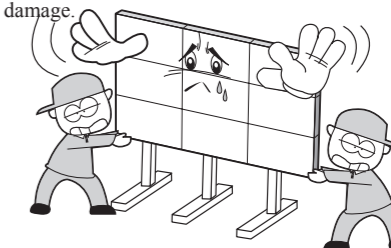
Please install as described in this manual.

Improper installation may cause serious injury or product damage.



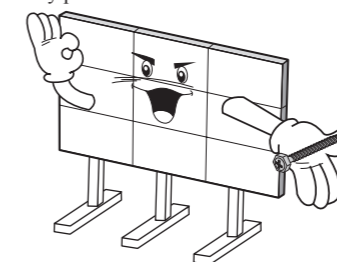
Installation of this product needs 3 or more people.

3 or more people need to work together to avoid personal injury or product damage.



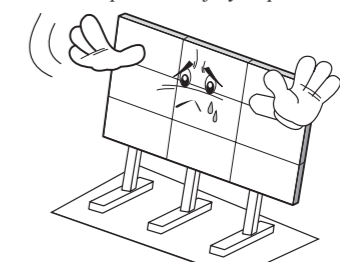
Use enclosed accessories.

Improper accessories may not withstand the weight of the product. It may cause safety problems.



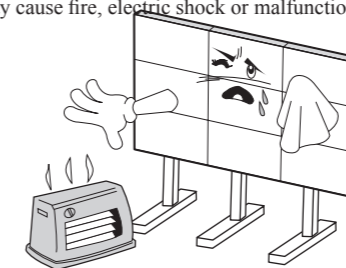
Install on the even ground or floor.

Product installed on uneven places such as inclined places or stairways may fall and cause personal injury or product damage.

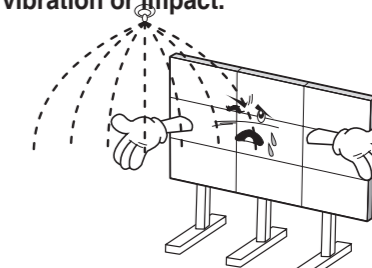


Do not use heaters or humidifiers at the place of installation.

Heat or vapor may cause fire, electric shock or malfunction.

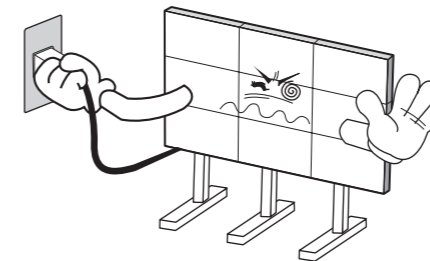


Do not install the product near to sprinkler, fire detector, high-voltage cable, power source, or places of vibration or impact.



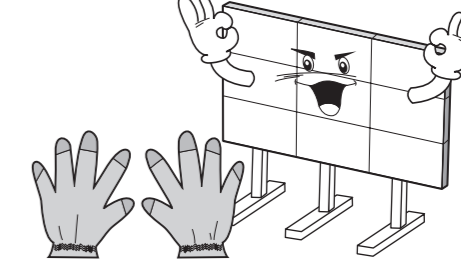
Make sure to disconnect before installation.

If you install the product while the power cord is still connected, it may cause electric shock or fire.



Use working gloves when you install.

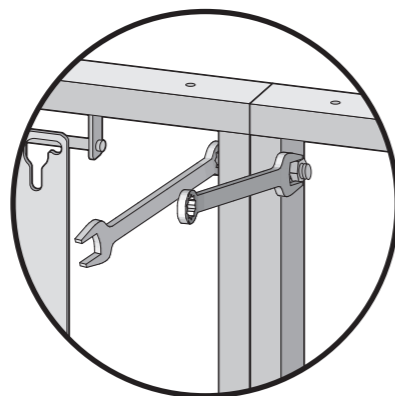
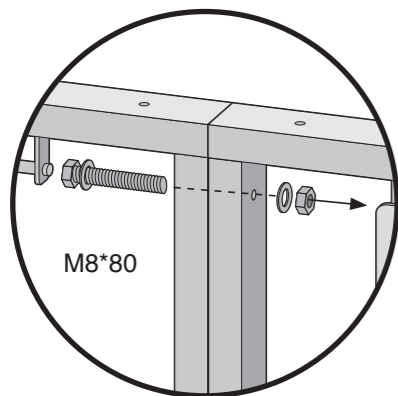
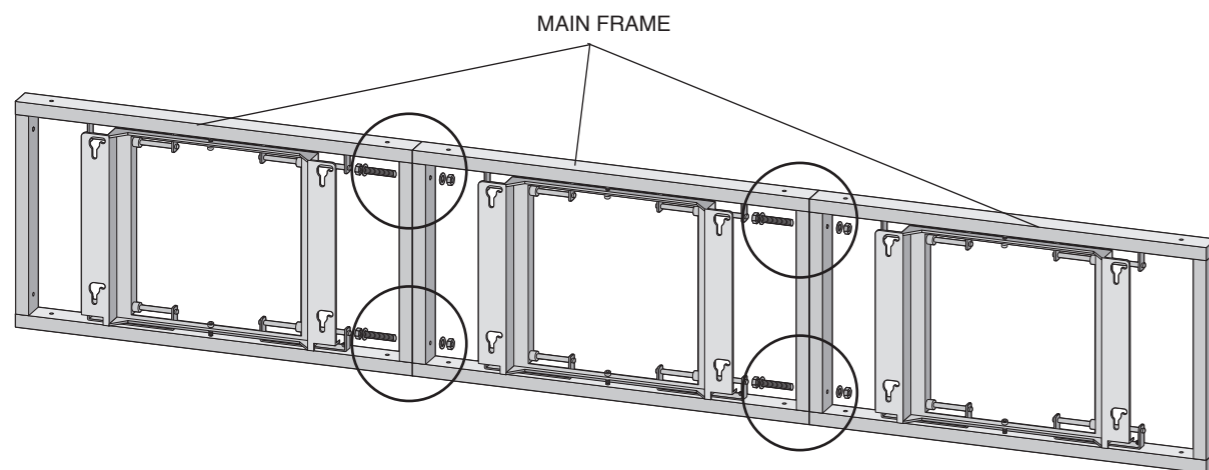
Wear working gloves to avoid any injury.



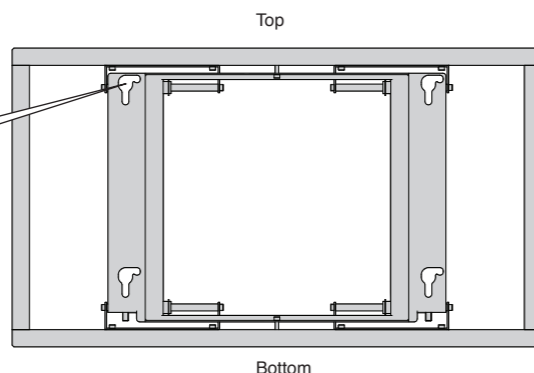
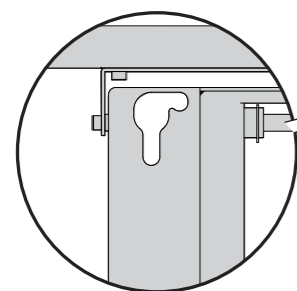
2. Installing Stand (3 X 3)

1 Assemble Main Frame.

- Assemble 3 main frames as shown in the figure. Use M8*80 bolt and M8 nut to assemble.
- Check top and bottom of main frame before assemble.
- Connect main frames as many as the number of MPDP. (In case of 5x5, connect 5 main frames)
- Shake left and right to check whether they are firmly assembled.



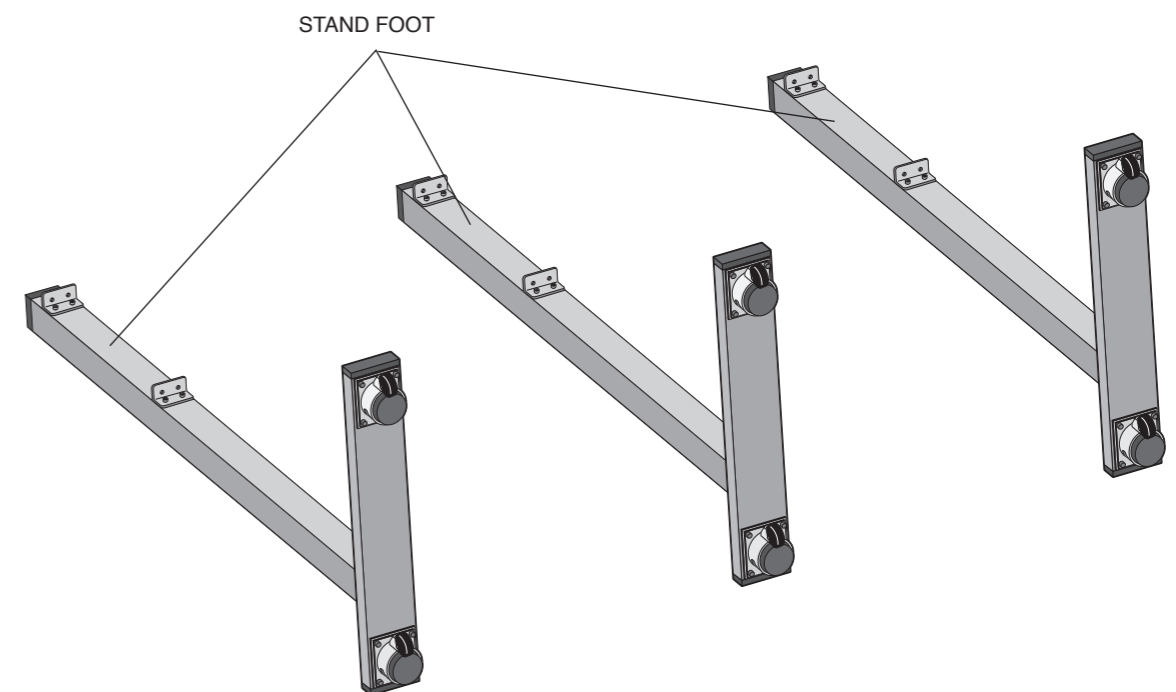
Use enclosed spanners to assemble as shown in the figure.



※It is more convenient to distinguish top and bottom, if you put the main frame as shown in the figure to use the holes as indicators.

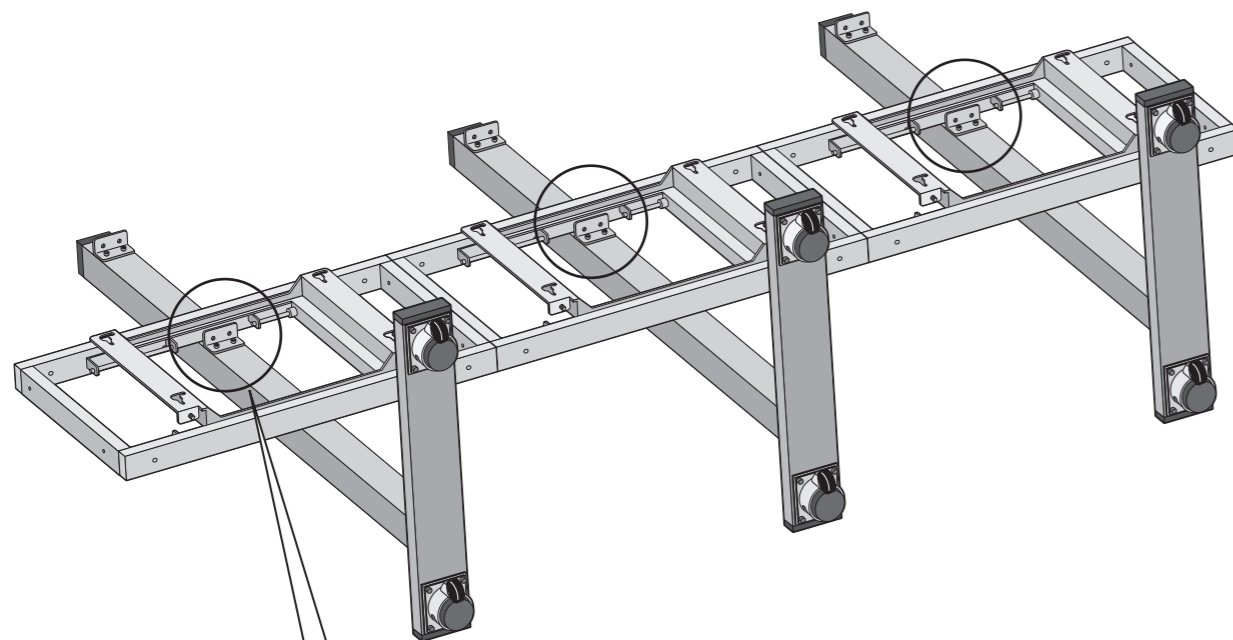
2 Lay down STAND FOOT as wide as the width of MAIN FRAME.

- If you assemble the stand in upright position, the stand may fall.



3 Assemble STAND FOOT and MAIN FRAME

- 2 or more people lift the assembled main frame and put down on the stand foot and fasten them with M6*12 bolts.
- Main frame should be assembled from bottom to top.
- There are fixing nuts in the groove at the bottom side of upper frame.

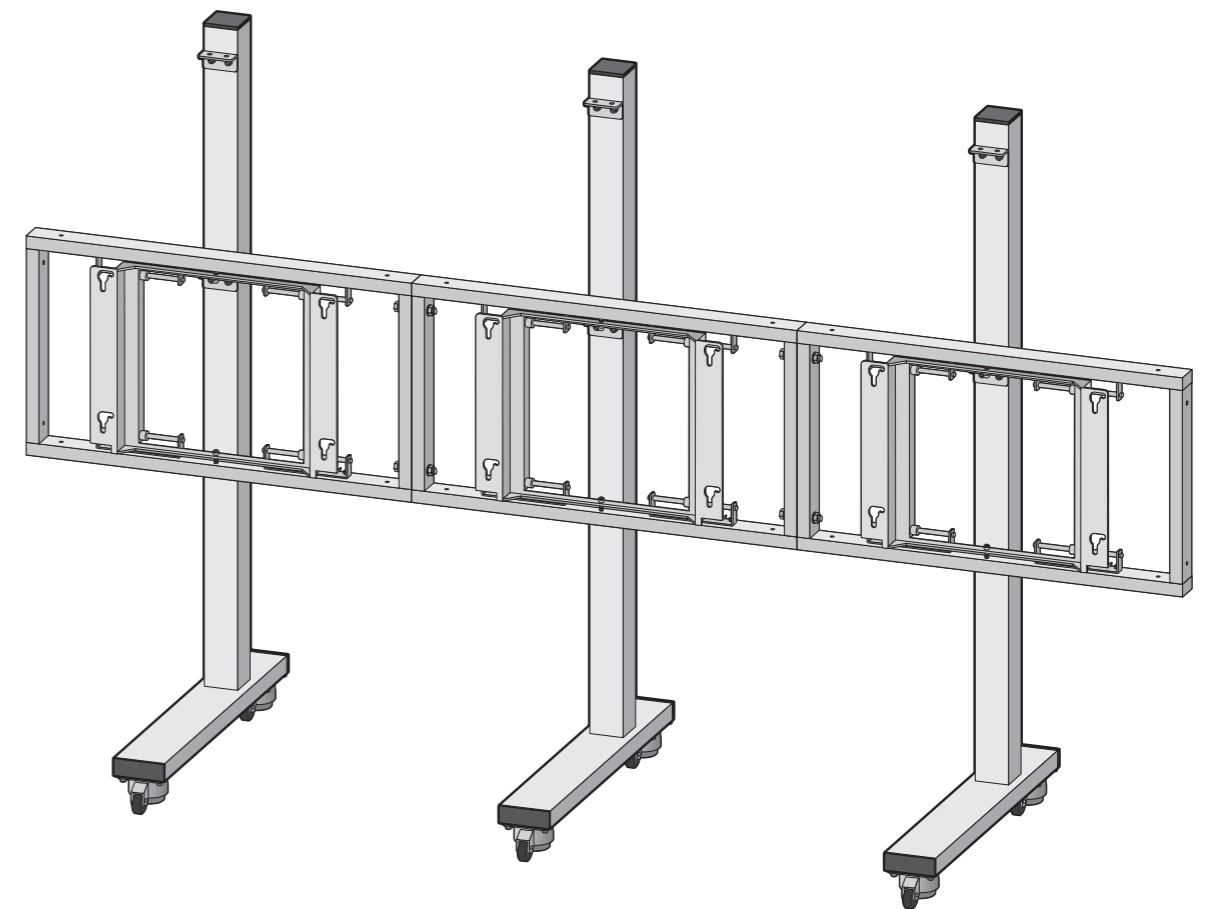


There are fixing nuts in the groove at the bottom side of upper frame. Move the nuts left and right to align to the location of bolts. One of 3 nuts is a spare.

Fasten M6*12 bolt with the enclosed 5mm wrench.

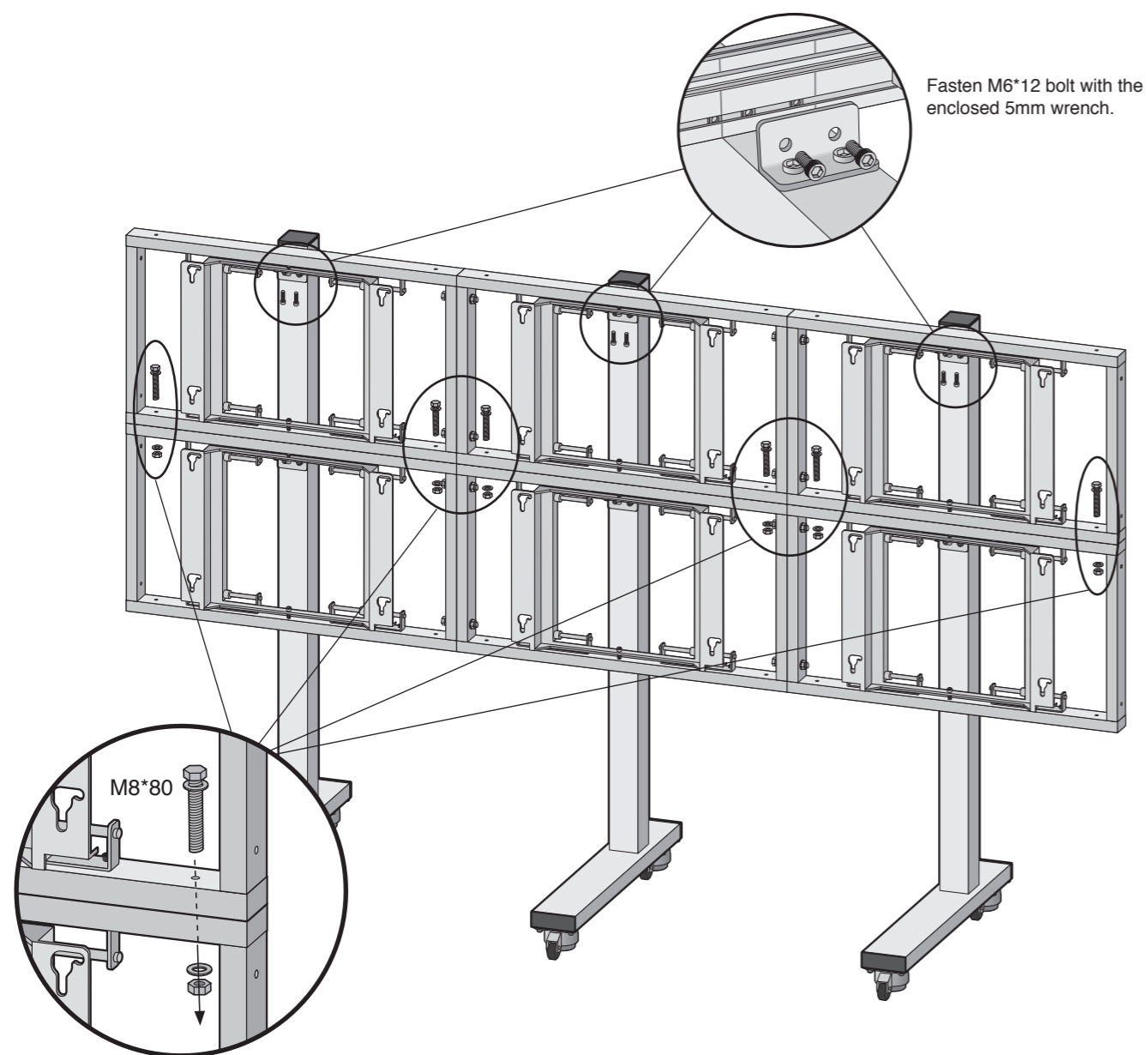
4 Raise STAND FOOT

- Repeat above describe No.1 process to assemble the second line of main frame.



5 Assemble Main Frames for second line.

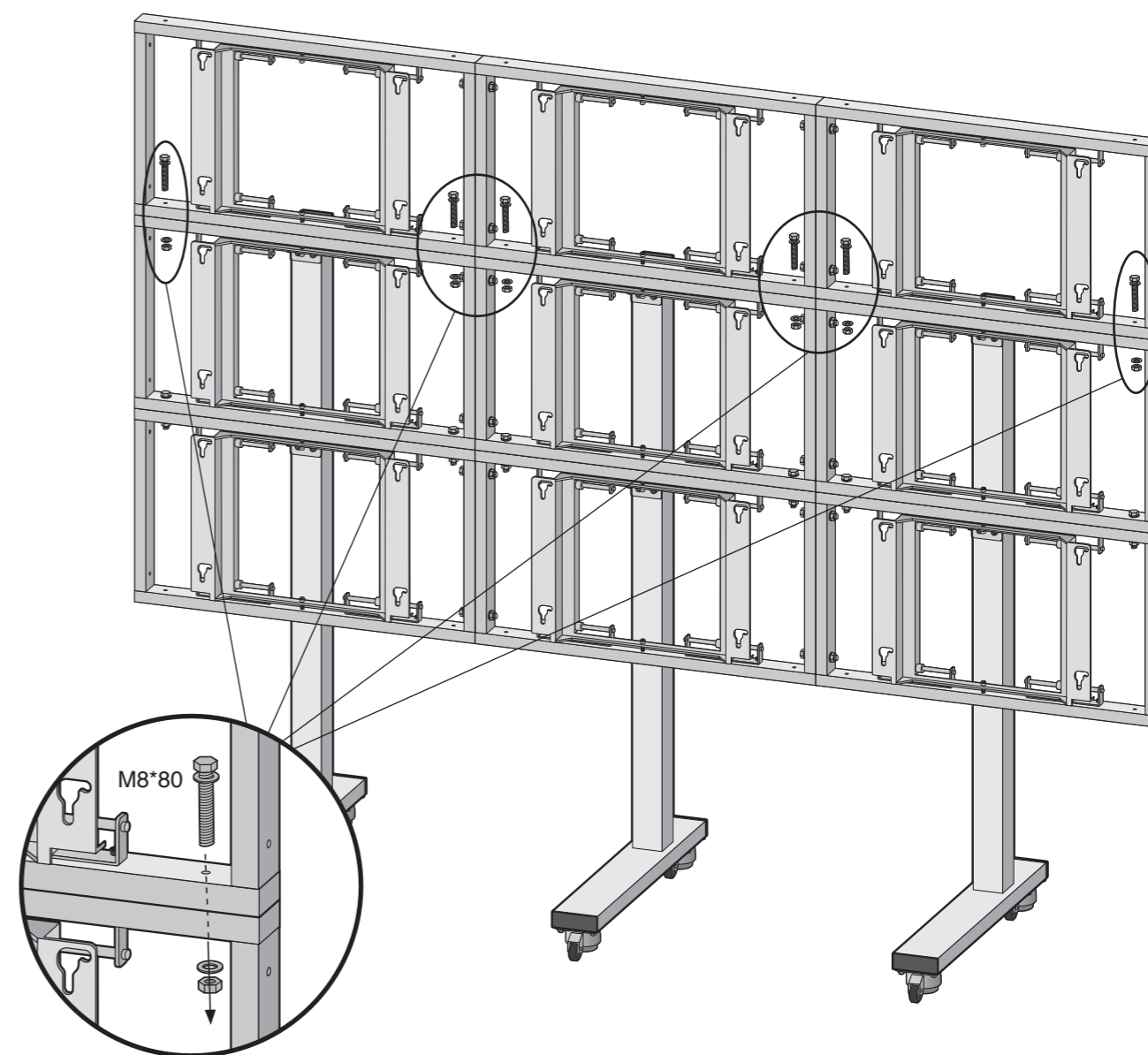
- 2 or more people lift the assembled main frame and put down on the stand foot.
- Fasten stand foot and main frame with M6*12 bolts.
- Fasten main frames of the first line and second line with M8*80 bolts.



Fasten 6 positions with M8*80 bolts. Use the enclosed spanner.

6 Assemble Main Frames for third line.

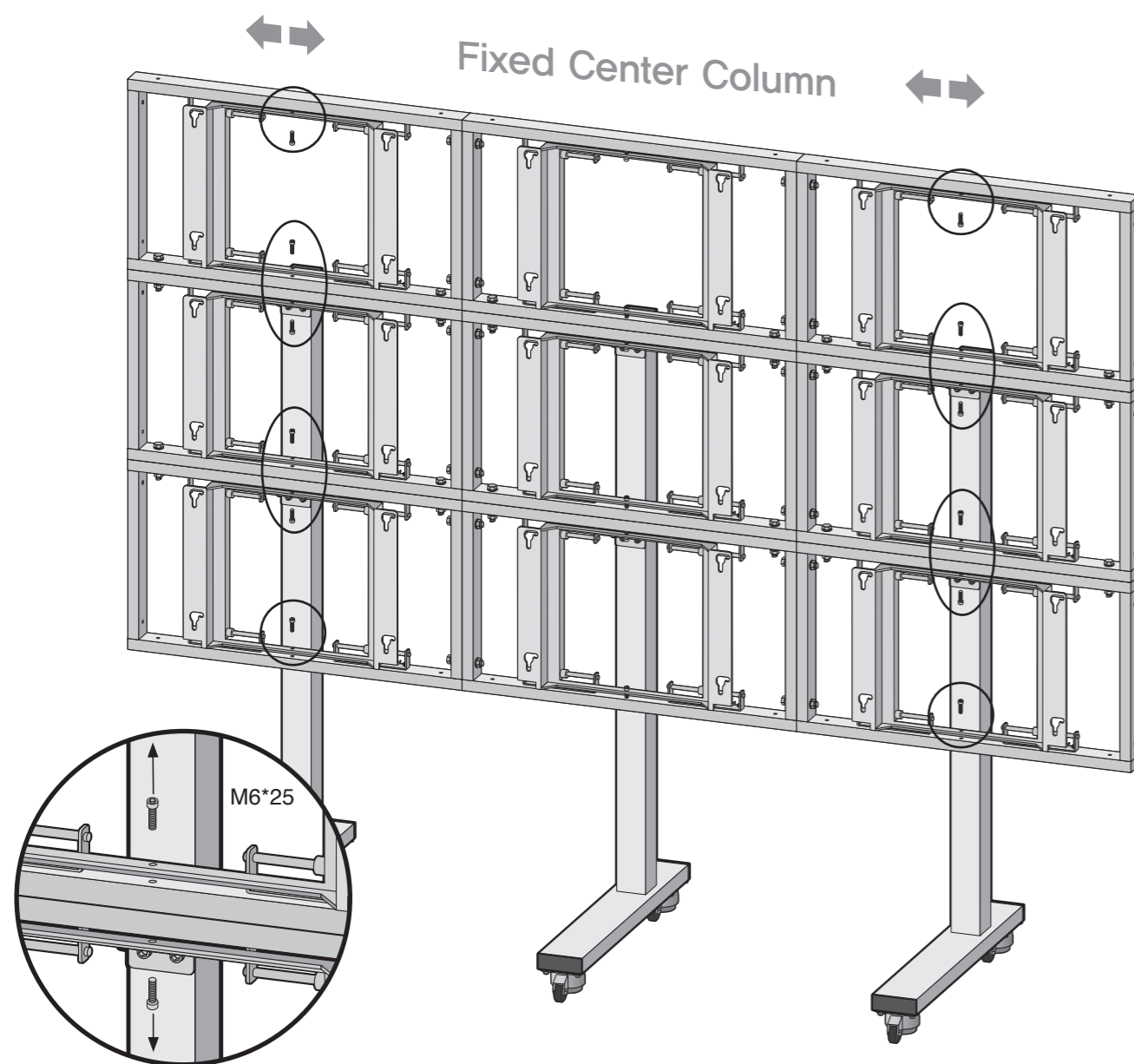
- Repeat above describe No.1 process to assemble the third line of main frame.
- 2 or more people lift the assembled main frame and put down on the stand foot.
- Fasten main frames of the second line and the third line with M8*80 bolts.



Fasten 6 positions with M8*80 bolts. Use the enclosed spanner.

7 Remove the fixing screws from the main frame.

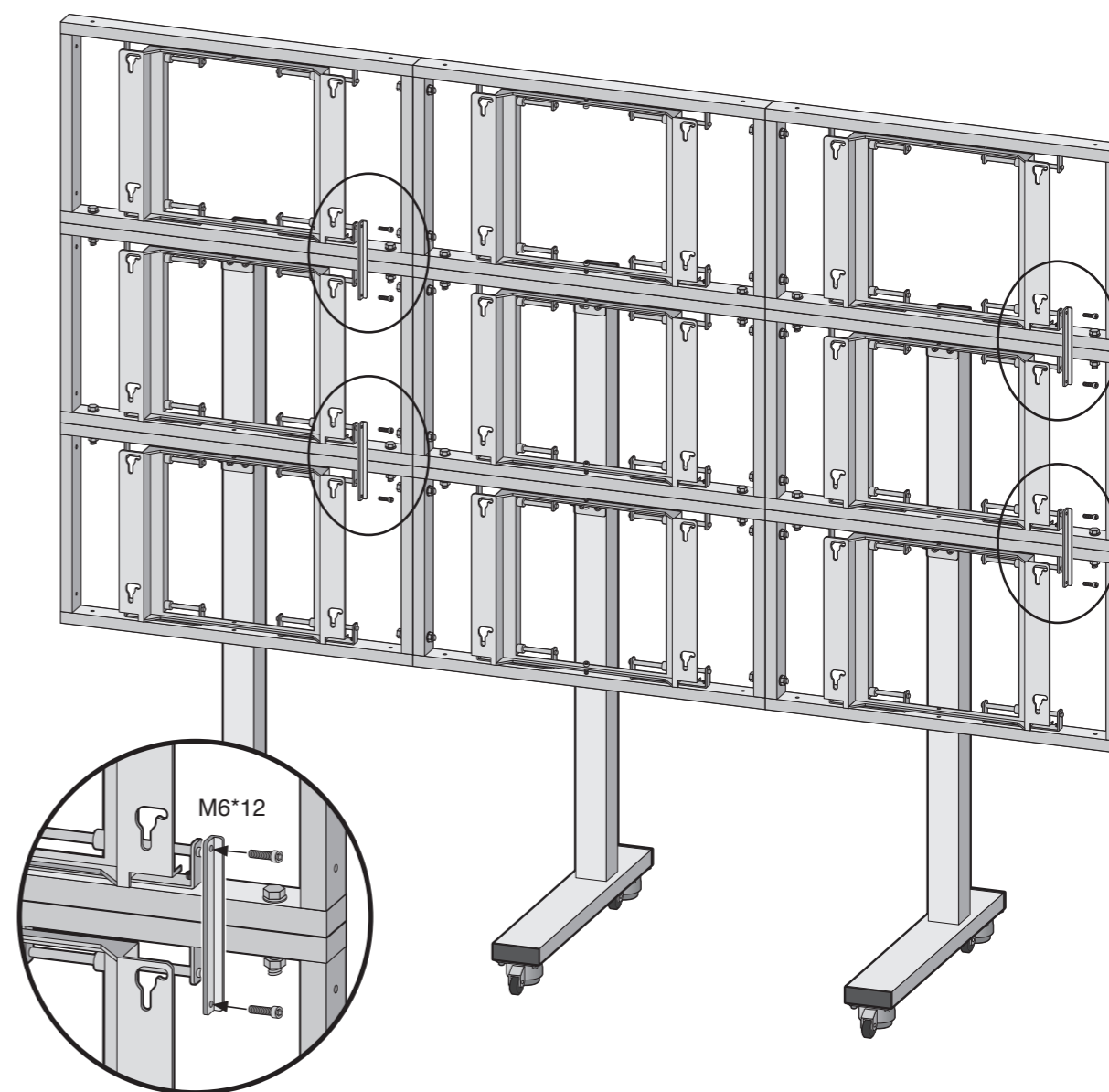
- To move the brackets to left or right in the main frame, remove M6*25 screws upper and lower sides of each main frame. You can move main frame to the left or right sides to install MPDP.



Remove 6 M6*25 screws upper and lower sides of each line of main frame with 5mm wrench.

8 Fasten Main Frames with "Main Frame Link".

- To move the main frames of same column simultaneously, fasten main frames of each line with the brackets in the right side.



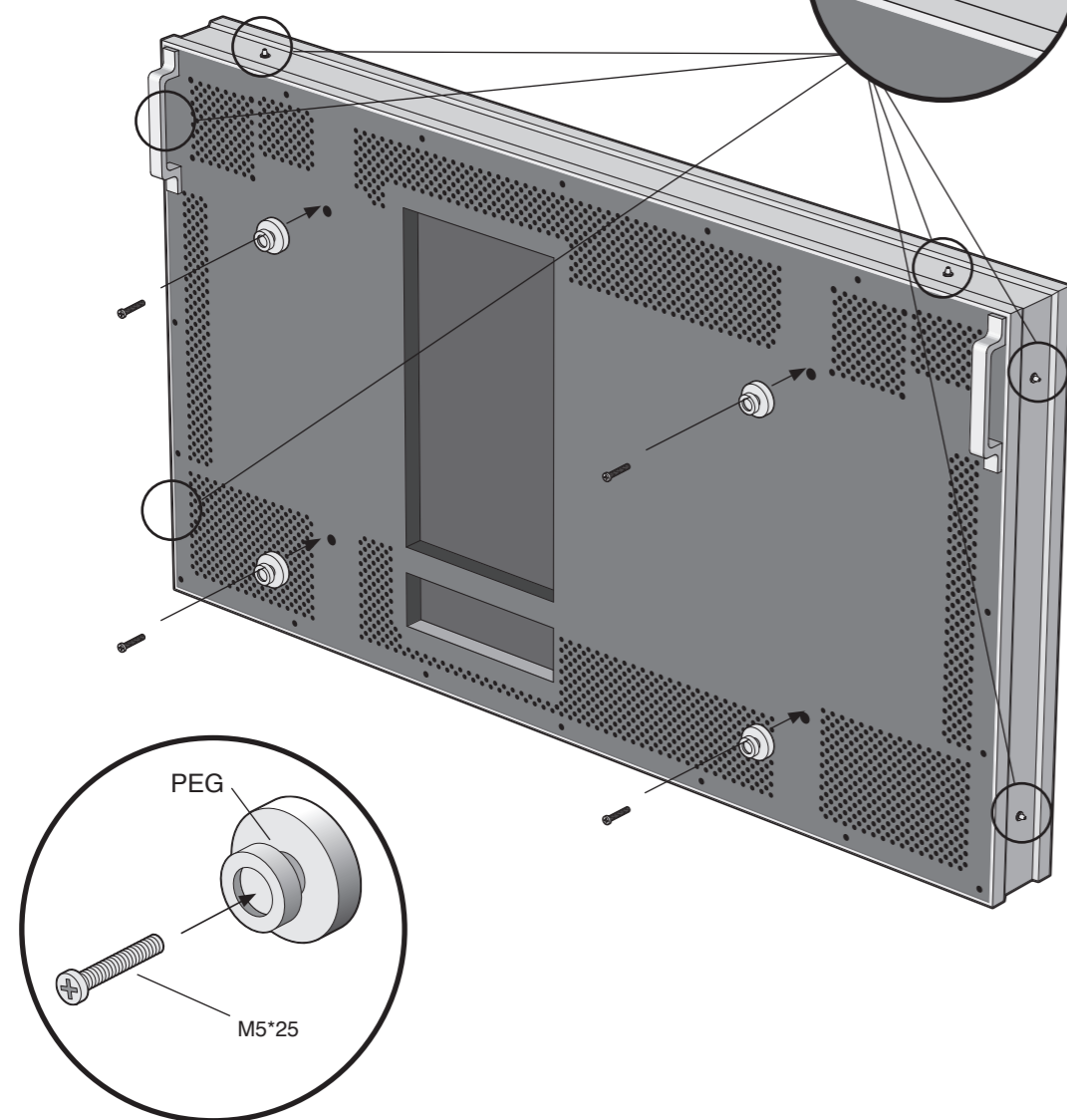
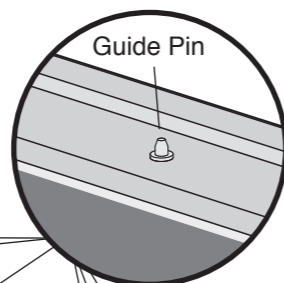
Fasten main frames and main frame link at 8 positions with M6*12 bolts. Use enclosed 5mm wrench.

3. Installing MPDP

1 Assemble "PEG" and "GUIDE PIN" to MPDP.

- Assemble 4 PEGs in the back and 6 Guide Pins at the side of MPDP.

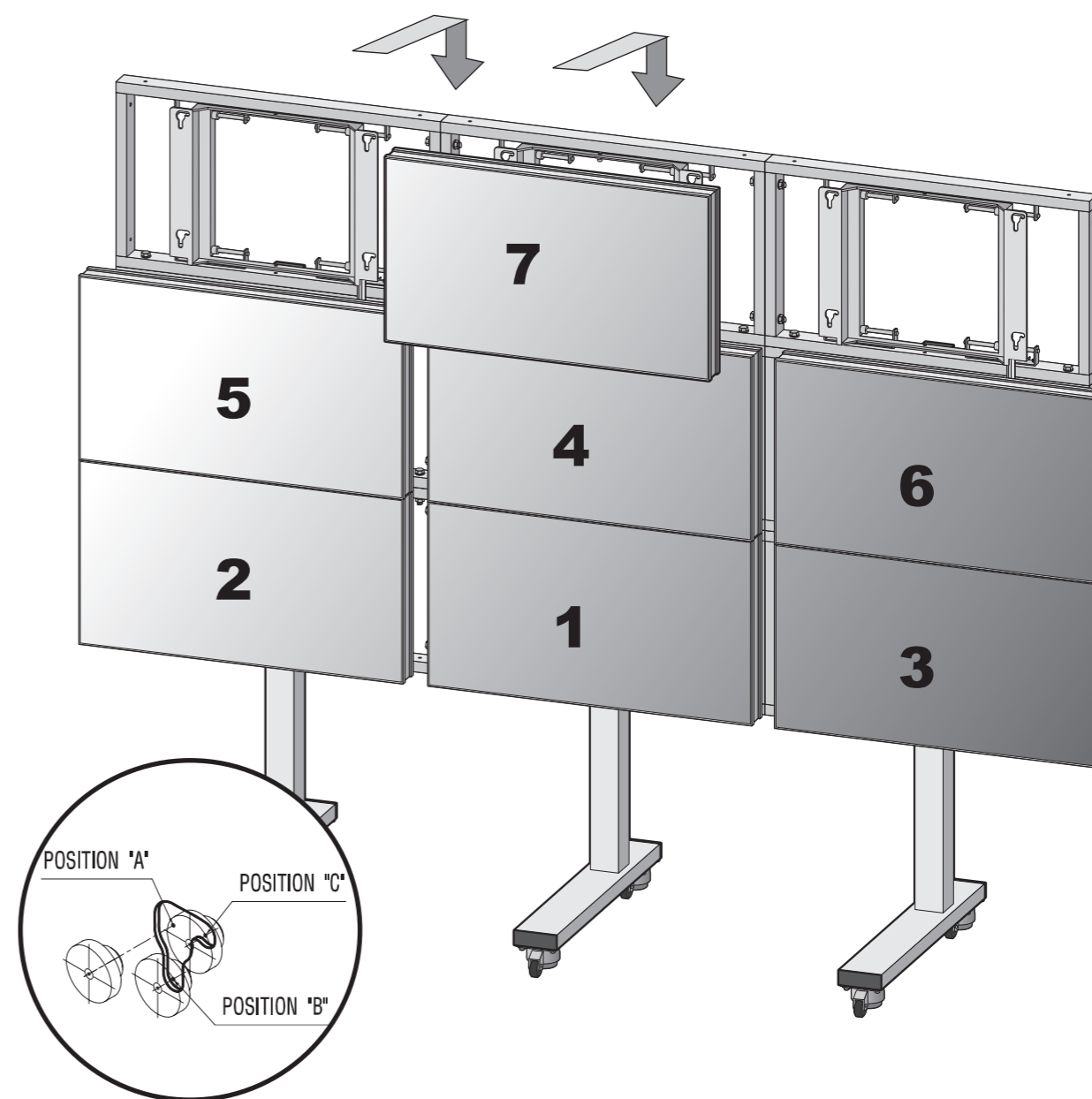
Assemble 6 Guide pins at the up and side portion of MPDP.



Fasten 4 PEGs in the back of MPDP with M5*25 bolts.

2 Install MPDP sets from the bottom center.

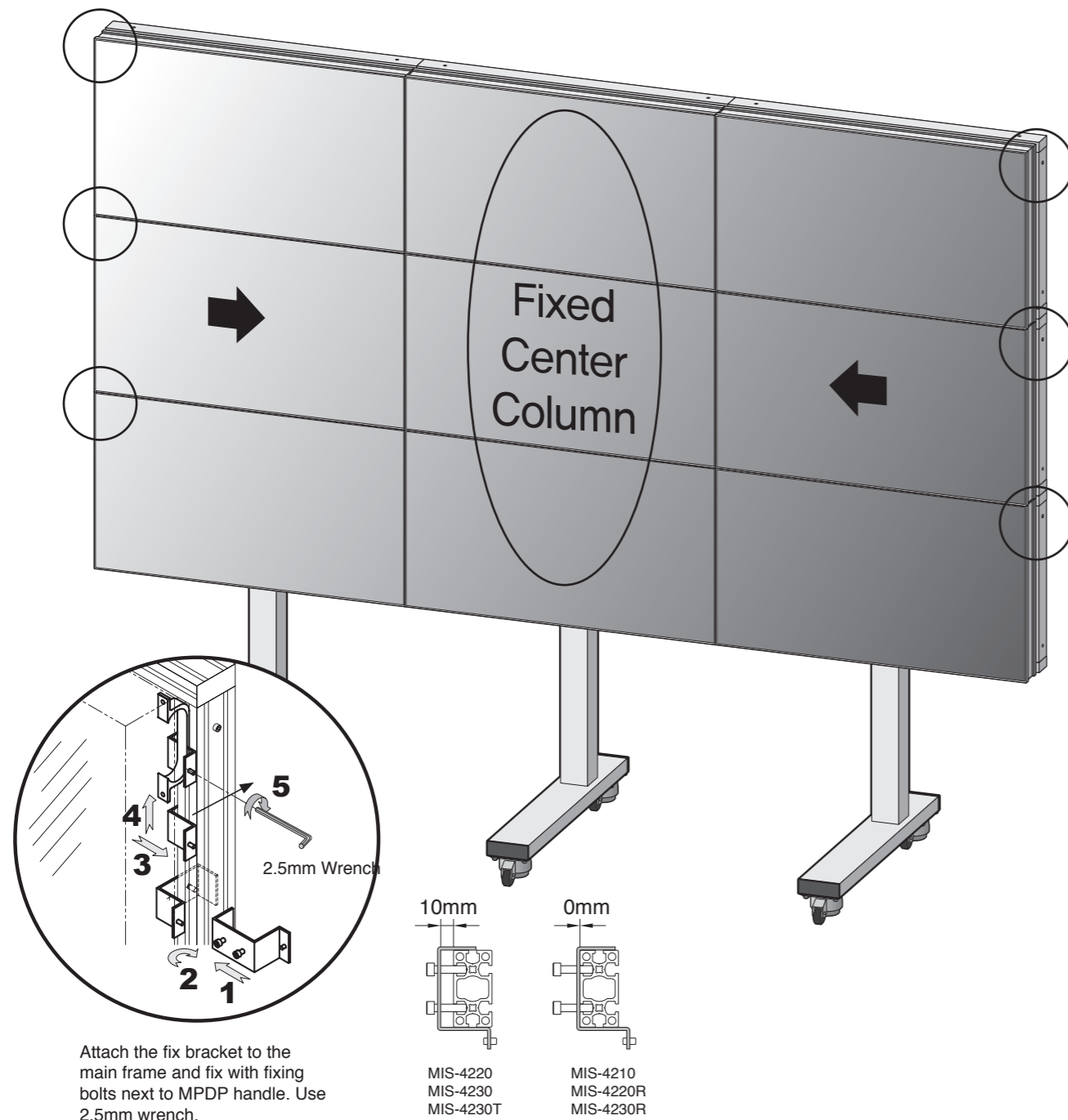
- Fit the PEG to the hole in the main frame to install MPDP sets.
- Put down MPDP set slowly. Any impact to the set may damage the panel.
- Installation starts from the bottom center and move on to the bottom left and right sides.



If you need to detach a MPDP set in the lower line, move the set in the upper line to position "C" Remove guide pins from the set in the lower line, move it to position "A" and detach from the main frame.

3 Push toward center column and fix after MPDP installation.

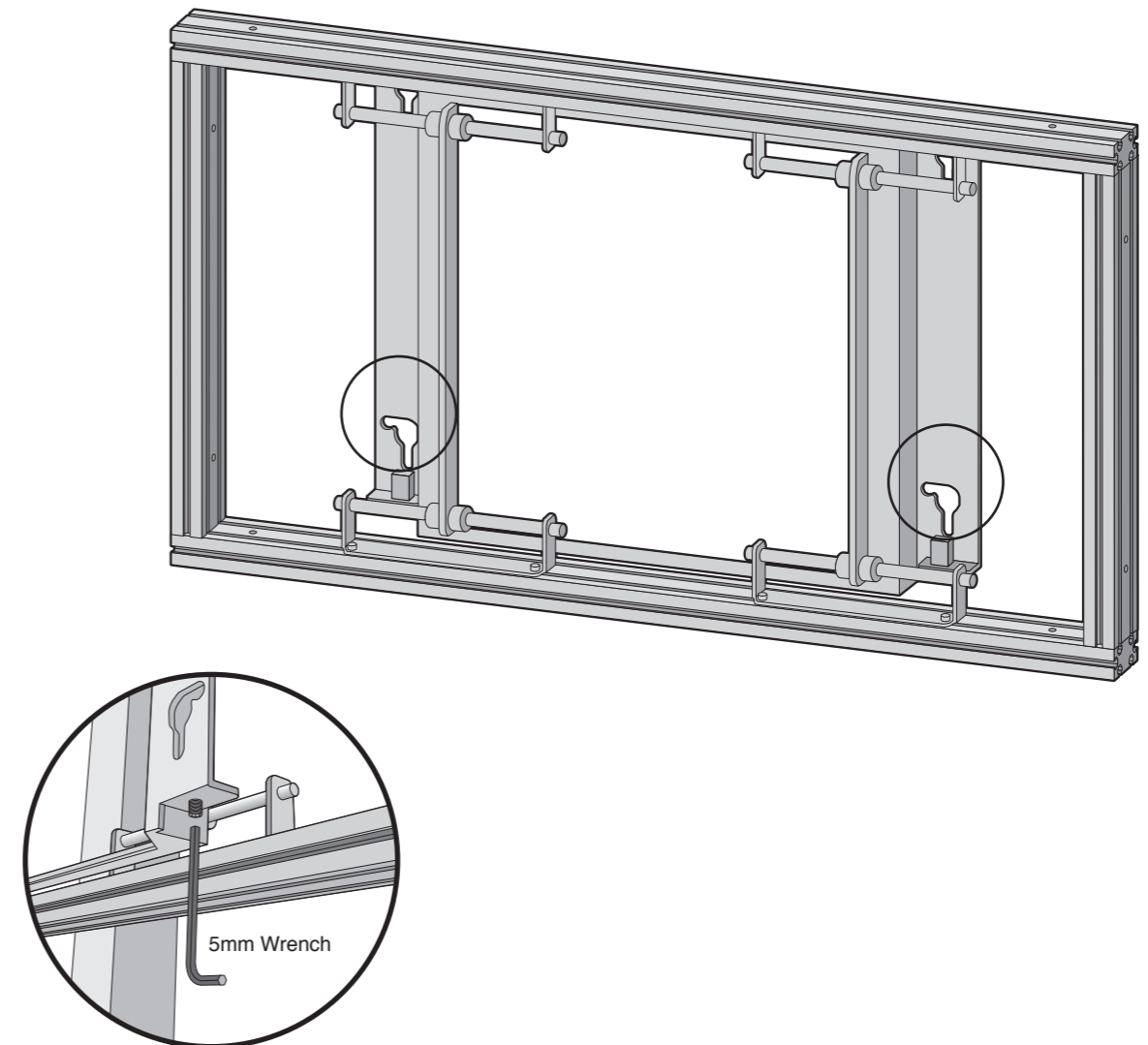
- Gently push MPDP sets in the side columns toward center and fix the position with "Fix Bracket."



4. Adjusting the gaps between MPDP sets with an adjuster.

You can adjust the gaps between MPDP sets with an adjuster.

- If the gaps between MPDP sets are getting wider or inclined, adjust with the adjuster.
- Two adjusters are located at the lower side of each main frame and can be adjusted by 5mm wrench.

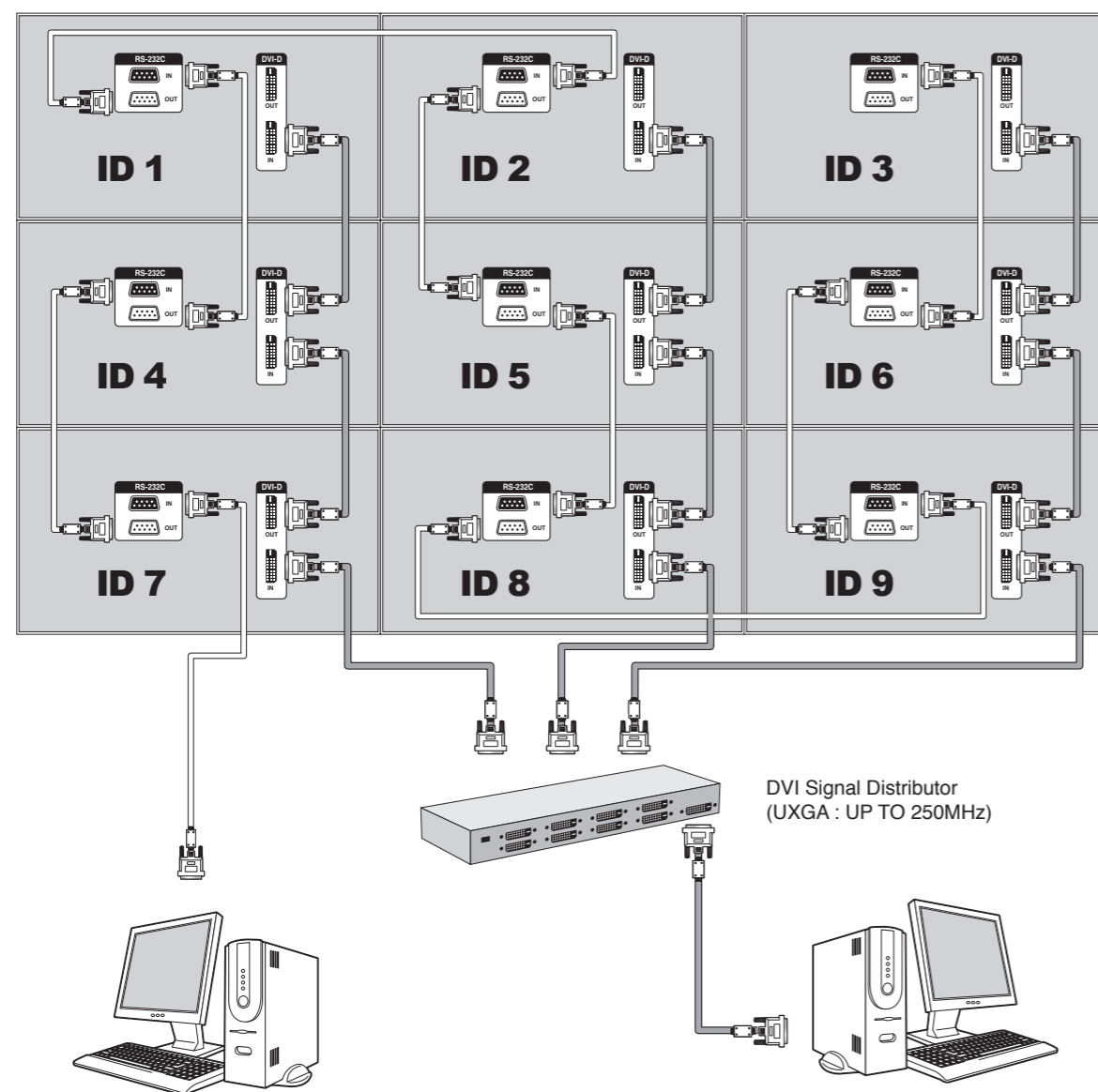


5. Setting MPDP ID configuration and Connection (3X3)

Configure MPDP ID and make connections for all the necessary external devices and power.

- Configure MPDP ID as shown in the following figure.
- Make necessary connections such as speakers, VCR, DVD, PC and power, etc and finish configuration.
- Neatly arrange all the connection cables. If they are stretched out or disorganized, it may cause personal injury or bad connection.

★ For more information for ID configuration and connection, please refer to MPDP user manual.

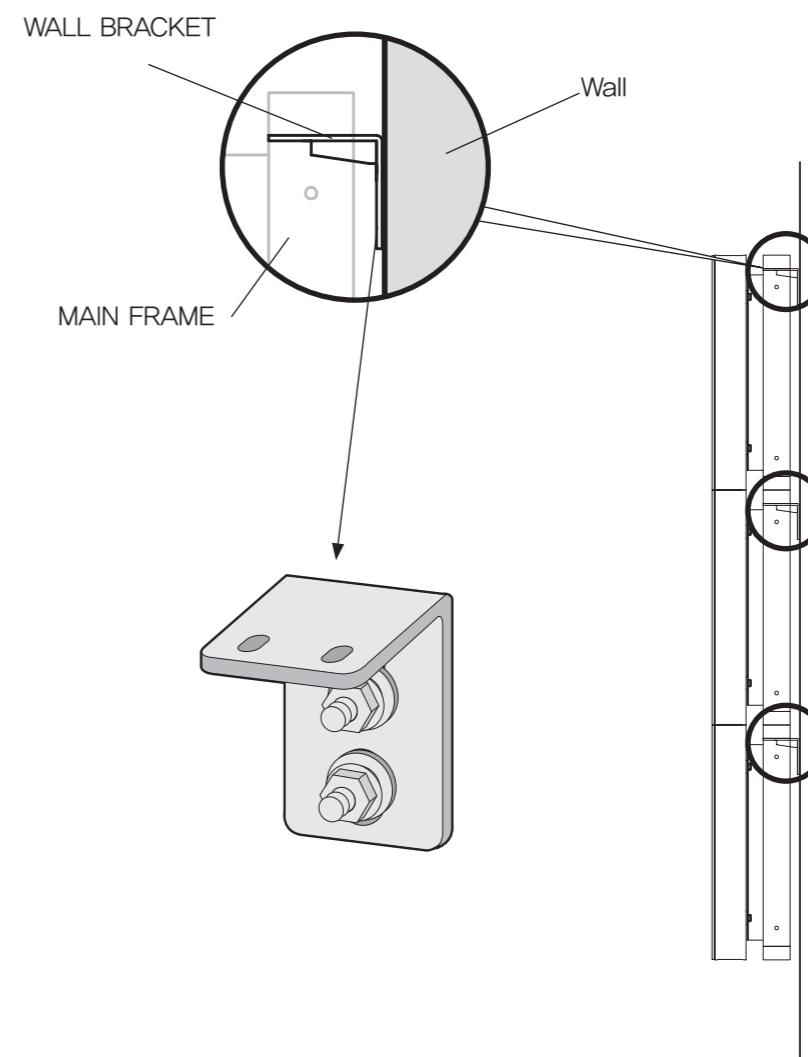


RS-232C control PC

DVI

WALL UNIT

★ This manual describes the installation for 3X3 sets. Apply following instruction according to the number of MPDP sets as you need.



1. Safety Precaution

- ★ Please read and understand this manual fully before installation.
- ★ Please handover this manual to customers after installation and ask to read and keep this manual for future use.

※Please keep all the cautions and warnings for proper use of the product and prevent possible accident or hazard.
 ※You can find "CAUTION" and "WARNING" signs in this manual. Each sign has following meaning.

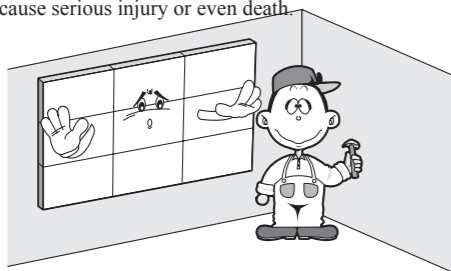
⚠ WARNING If the user does not comply with this instruction, serious injuries or death can be caused.

⚠ CAUTION If the user does not comply with this instruction, minor injuries or product damage can be caused.

⚠ WARNING

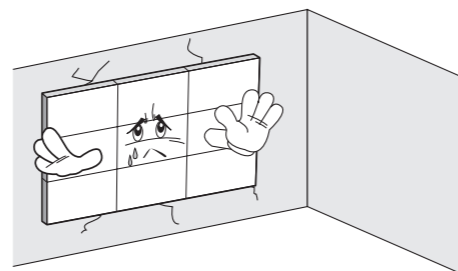
Installation must be done by the skilled persons designated by sales agent or dealership.

Installation work can be very dangerous for inexperienced person.
 It may cause serious injury or even death.



Avoid weak or unstable locations.

MPDP sets may fall, if the location of installation cannot withstand the weight of MPDP sets.
 It may cause personal injury or product damage.



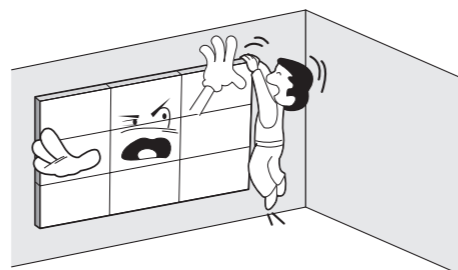
When you need to move or replace the product after installation, contact with the skilled persons designated by sales agent or dealership.

Installation work can be very dangerous for inexperienced person.
 It may cause safety problems.



Do not hang on the product or give any impact.

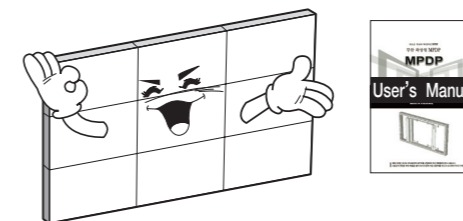
Product may fall and cause person injury.



⚠ CAUTION

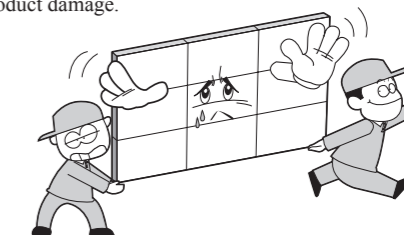
Please install as described in this manual.

Improper installation may cause serious injury or product damage.



Installation of this product needs 6 or more skilled people.

6 or more people need to work together to avoid personal injury or product damage.



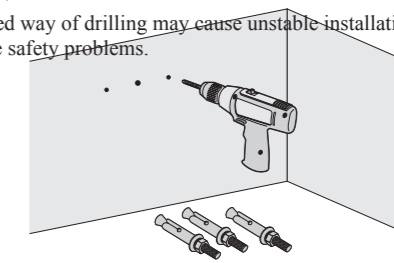
Check the condition and type of wall before installation. If all the condition fits, use enclosed anchors and bolts.

Unauthorized anchors and bolts may not withstand the weight of the product and may cause safety problems.



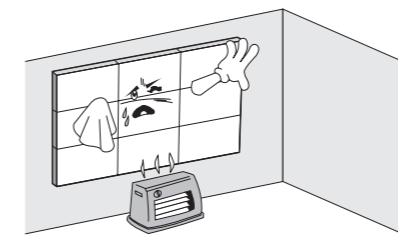
Make sure to use the drill and bit of specified diameter. Follow the instruction for the depth of the hole, too.

Unspecified way of drilling may cause unstable installation. It may cause safety problems.

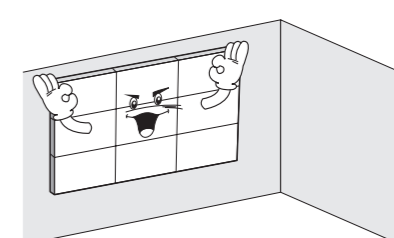


Do not use heaters or humidifiers at the place of installation.

Heat or vapor may cause fire, electric shock or malfunction.

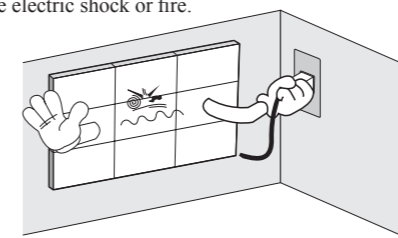


Do not install the product near to sprinkler, fire detector, high-voltage cable, power source, or places of vibration or impact.



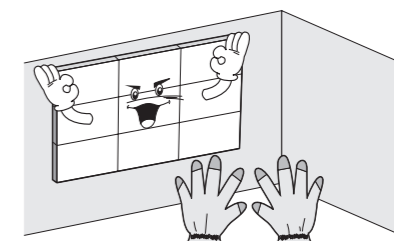
Make sure to disconnect power cord before installation.

If you install the product while the power cord is still connected, it may cause electric shock or fire.



Use working gloves when you install.

Wear working gloves to avoid any injury.



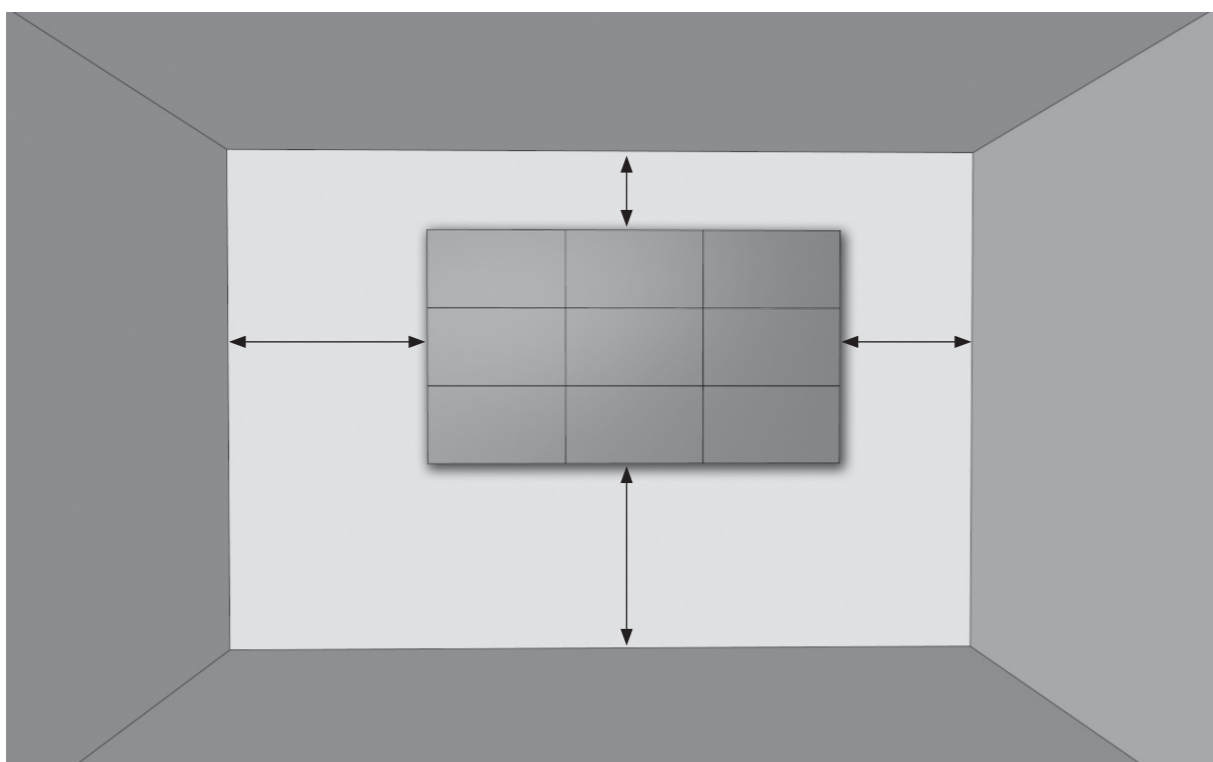
2. Checking the location for installation.

Check the type of wall to examine whether it can withstand the weight of product.

- Check the type and thickness of wall and the finish material.
- Check the wall can withstand the weight of the product before installation.
- You can use enclosed anchors and bolts, if the thickness of the finish material is 20mm or less.
- Never install the product to the wall of gypsum board.

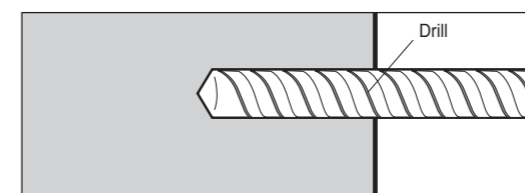
Check the installation space.

- Select the location suitable for the product size and install to maintain the horizontal and the vertical position.
- Leave some space between the product and wall or other structures. (Minimum 15cm)
- If the product is installed in a closed space, it may be a cause of fire or malfunction for its internal heat.

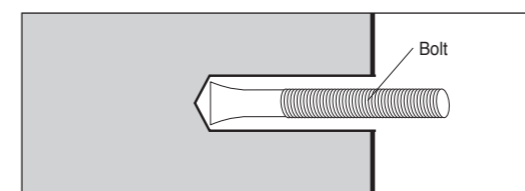


3. Fixing Anchor and Bolt

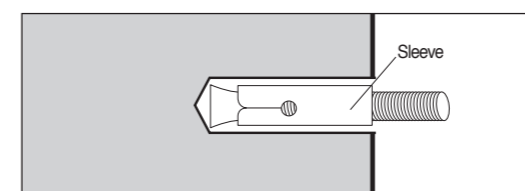
- ★ Make sure to use specified accessory.
- ★ Check the positions and intervals.
If the hole positions are not accurate, the gap between MPDP sets can be irregular.



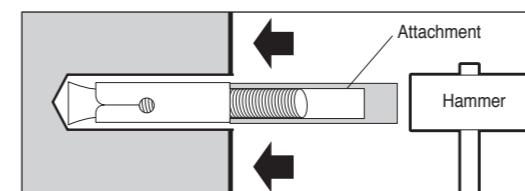
Drill a hole with 8mm of diameter and 80mm~100mm of depth at the anchor spot marked at the wall.



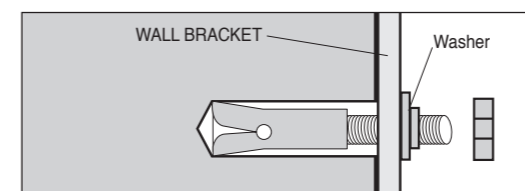
Clean the hole.
Insert the bolt into the hole.



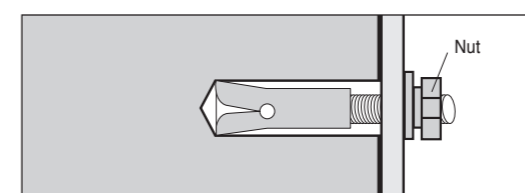
Insert the sleeve along the bolt.



Insert the attachment, and hit it to insert by the hammer.



Fix the WALL BRACKET and assemble the washer and the nut.



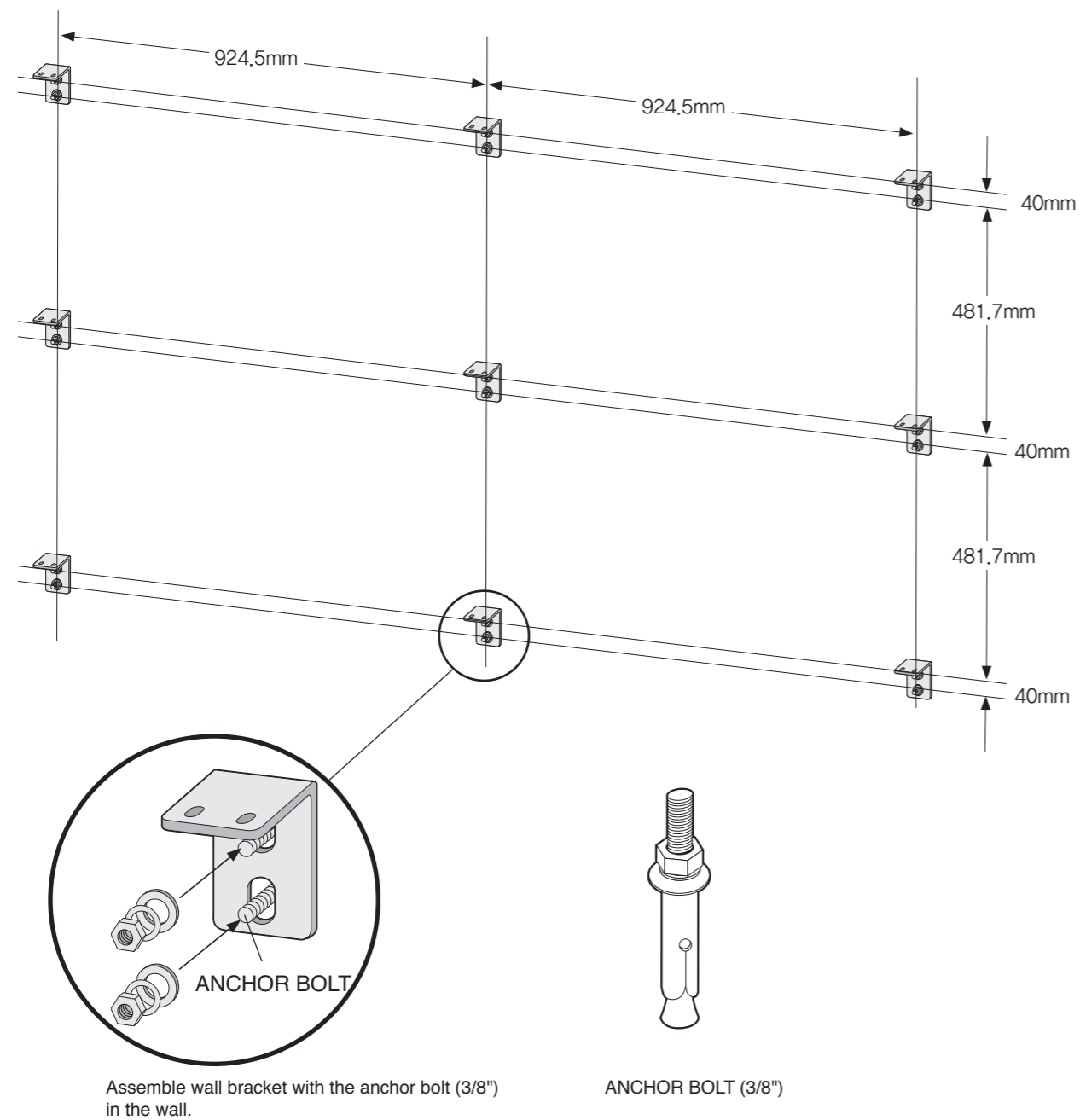
Fasten the nut securely.

4. Installing wall bracket (3X3)

1 Install the wall bracket to the wall.

- Mark the positions of wall bracket on the wall according to the numbers of MPDP sets and the gap between them.
- Drill holes and insert anchor bolts (3/8") and fix with wall brackets and nuts at the wall bracket positions.

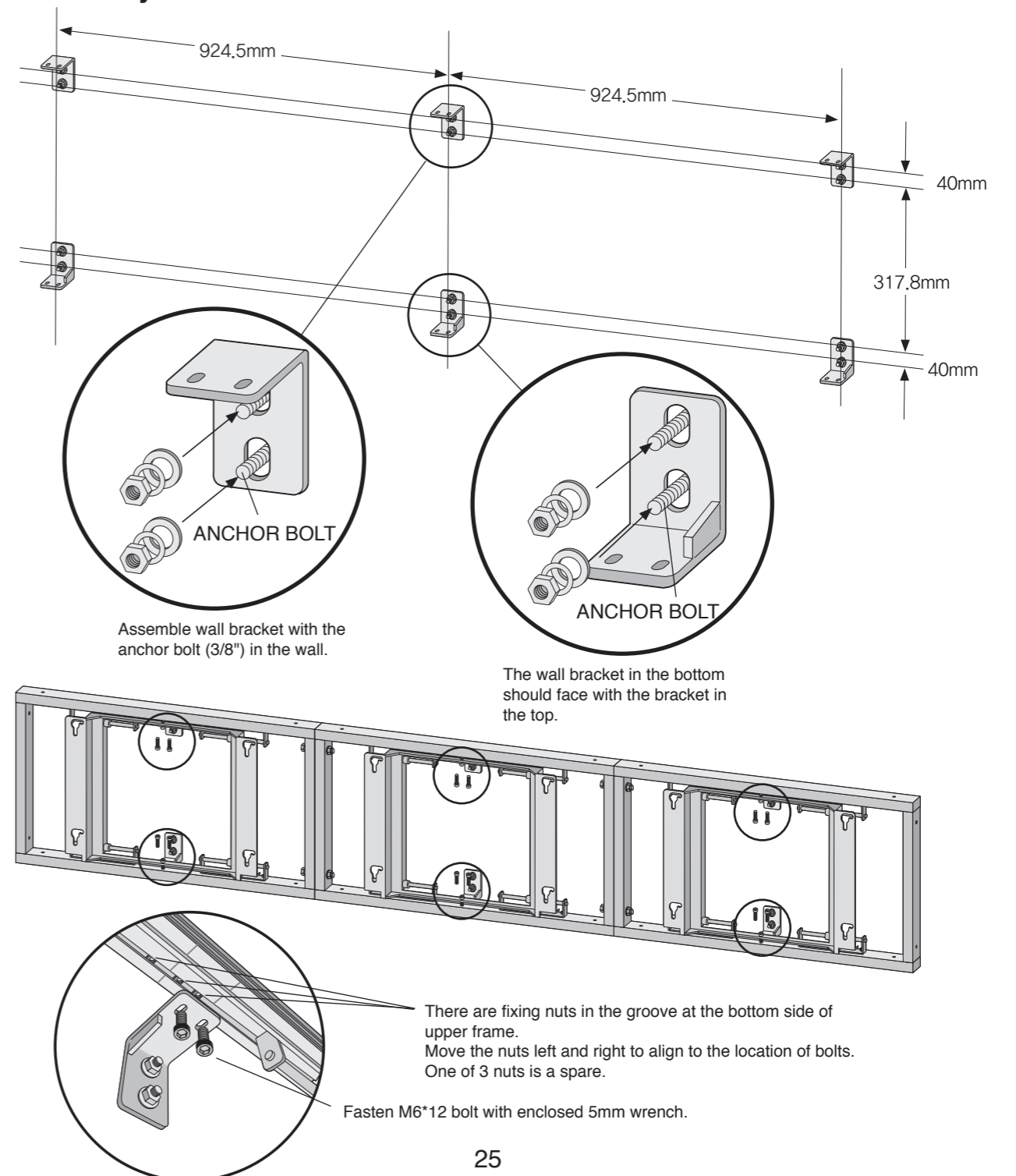
★ Always be careful to check the horizontal and the vertical.



In case of 3X1 Main Frames.

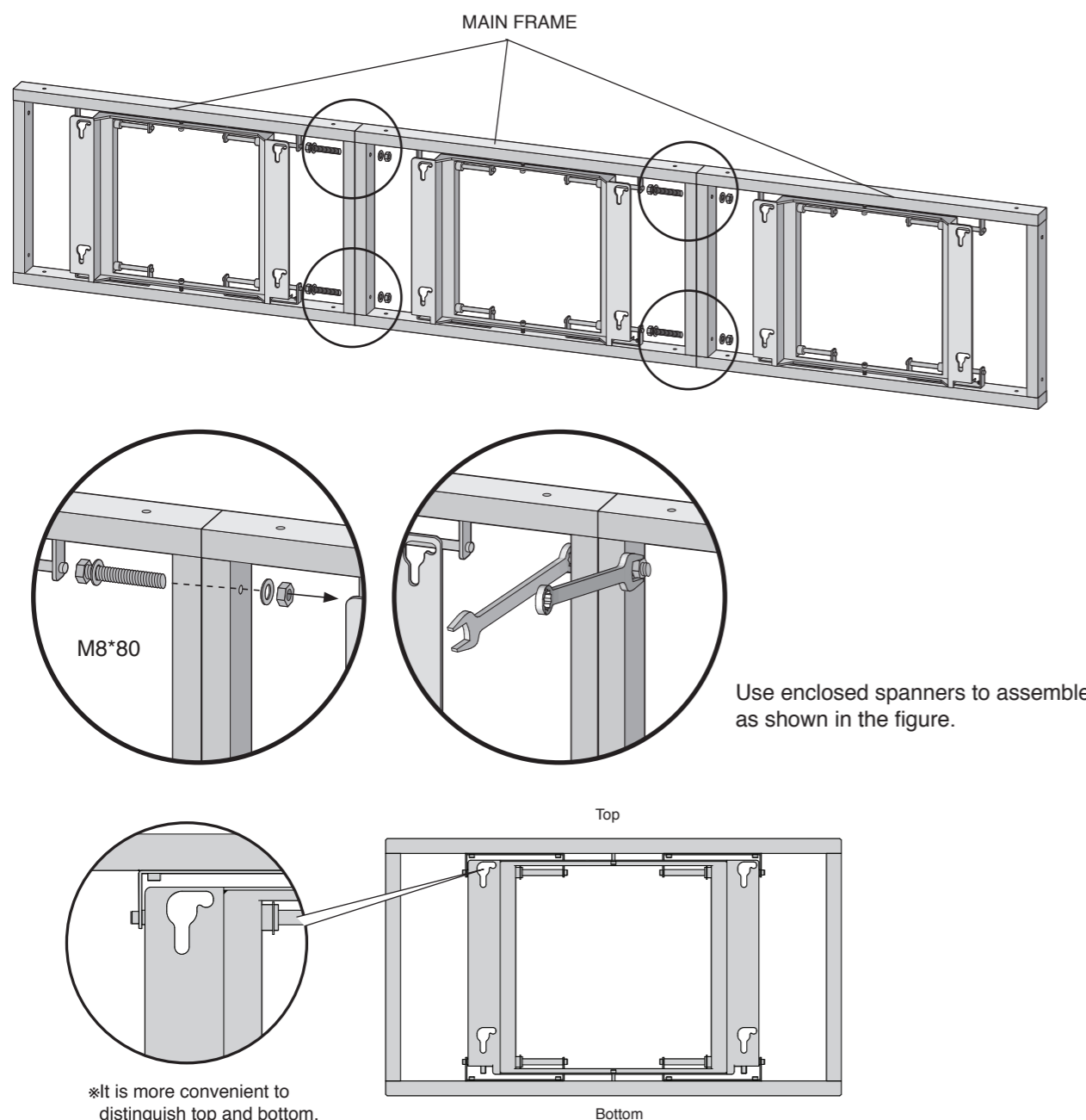
- If you install only one horizontal line of main frames, you need to install two wall brackets for each MPDP set. The wall brackets of the top and the bottom should be installed in facing position.

★ Always be careful to check the horizontal and the vertical.



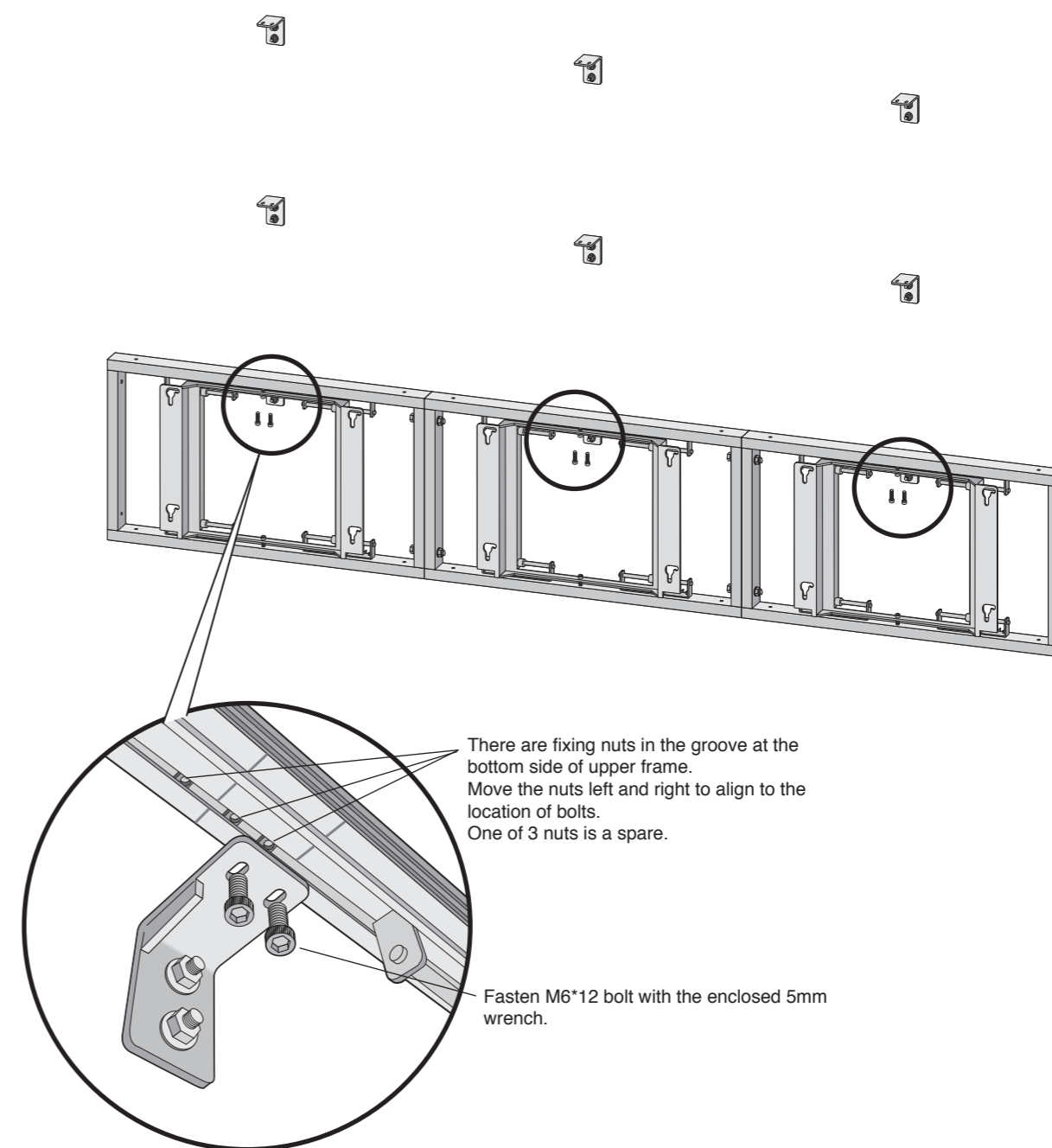
2 Assemble Main Frame.

- Assemble 3 main frames as shown in the figure. Fasten 4 positions with M8*80 bolts and M8 nuts.
- Check top and bottom of main frame before assembling.
- Connect main frames as many as the number of MPDP. (In case of 5x5, connect 5 main frames)
- Shake left and right to check whether they are firmly assembled.



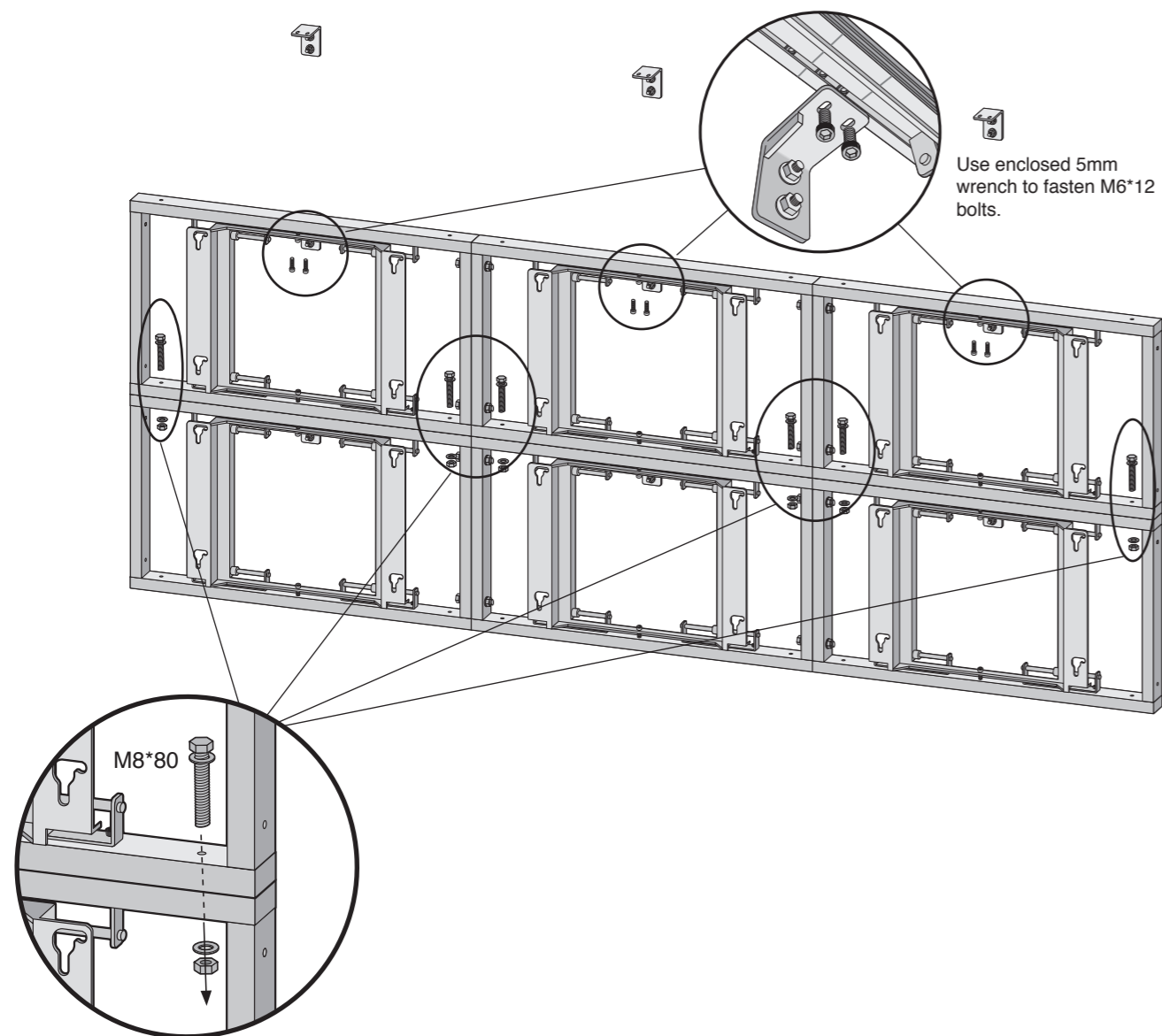
3 Assemble Wall Bracket and Main Frames.

- 2 or more people lift the assembled main frame and put down on the wall bracket in the bottom line and fasten them with M6*12 bolts.
- Main frame should be assembled from bottom to top.
- There are fixing nuts in the groove at the bottom side of upper frame.



4 Assemble Main frames for the second line.

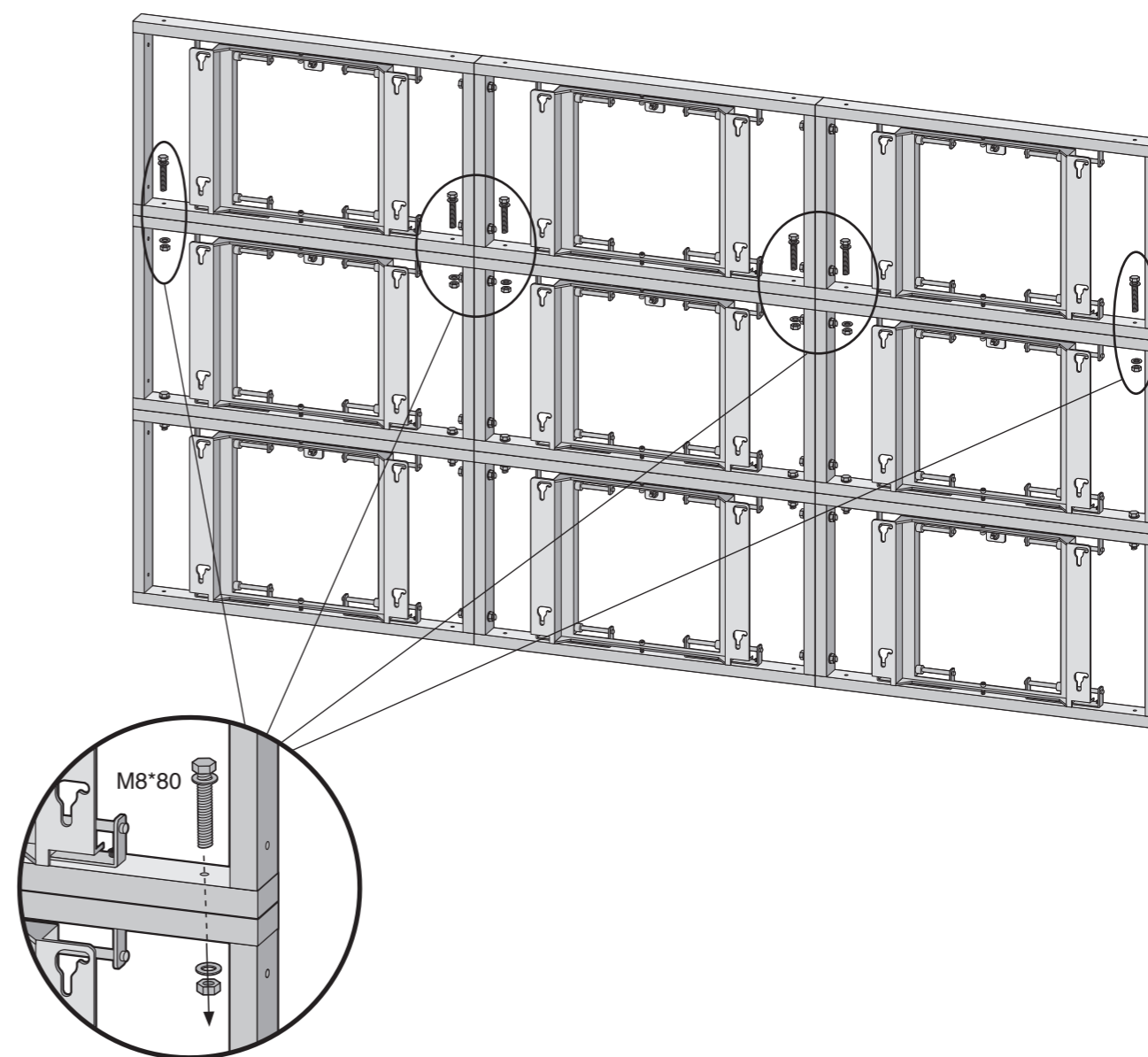
- 2 or more people lift the assembled main frame and put down on the wall bracket.
- Fasten the wall bracket and mainframes with M6*12 bolts.
- Fasten upper main frames and lower main frames with M8*80 bolts.



Use enclosed spanner to fasten M8*80 bolts at 6 positions.

5 Assemble Main frames for the third line.

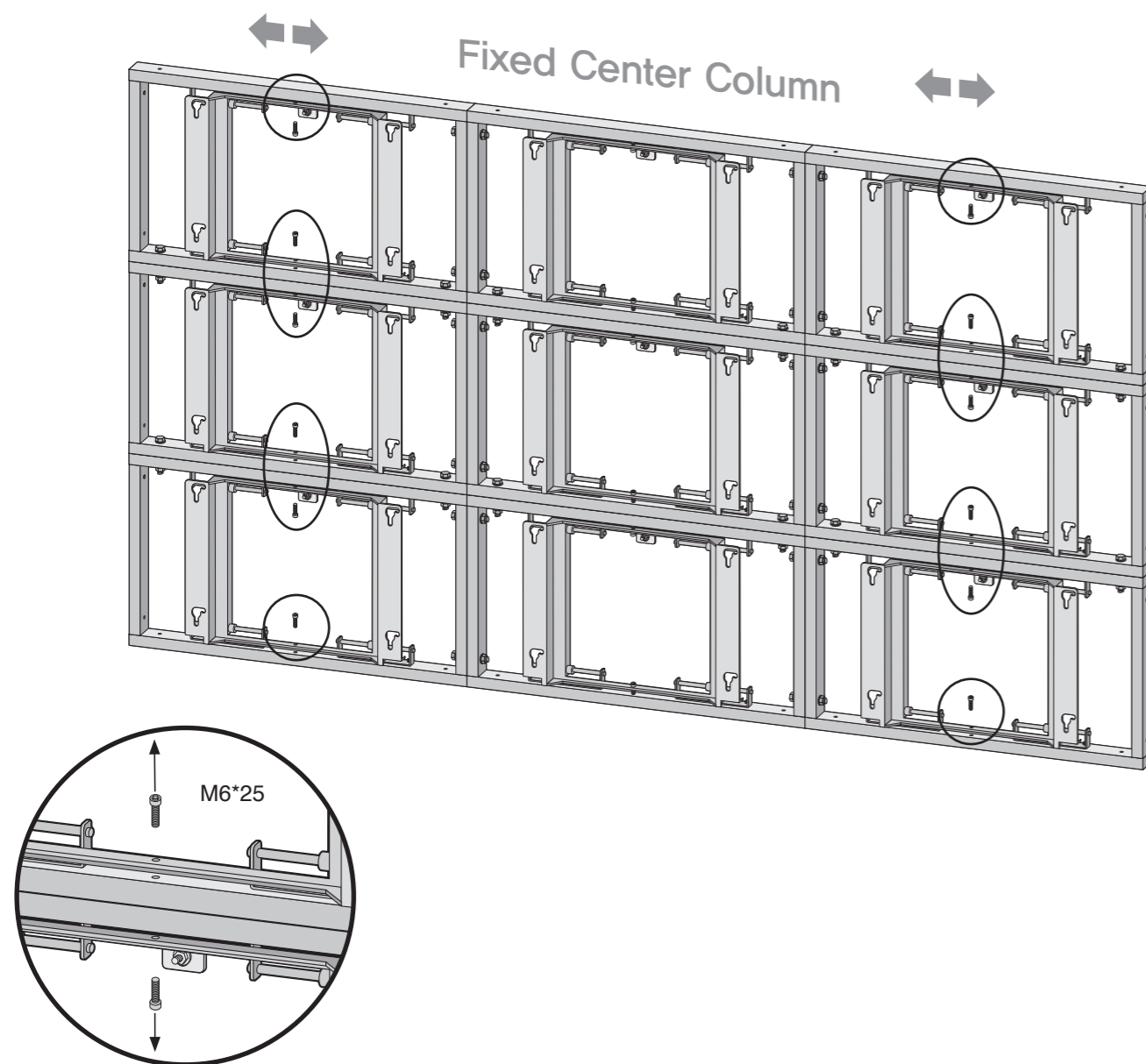
- Repeat above described process No.1.
- 2 or more people lift the assembled main frame and put down on the wall bracket.
- Fasten upper main frames and lower main frames with M8*80 bolts.



Use enclosed spanner to fasten M8*80 bolts at 6 positions.

6 Remove the fixing screws from the main frame.

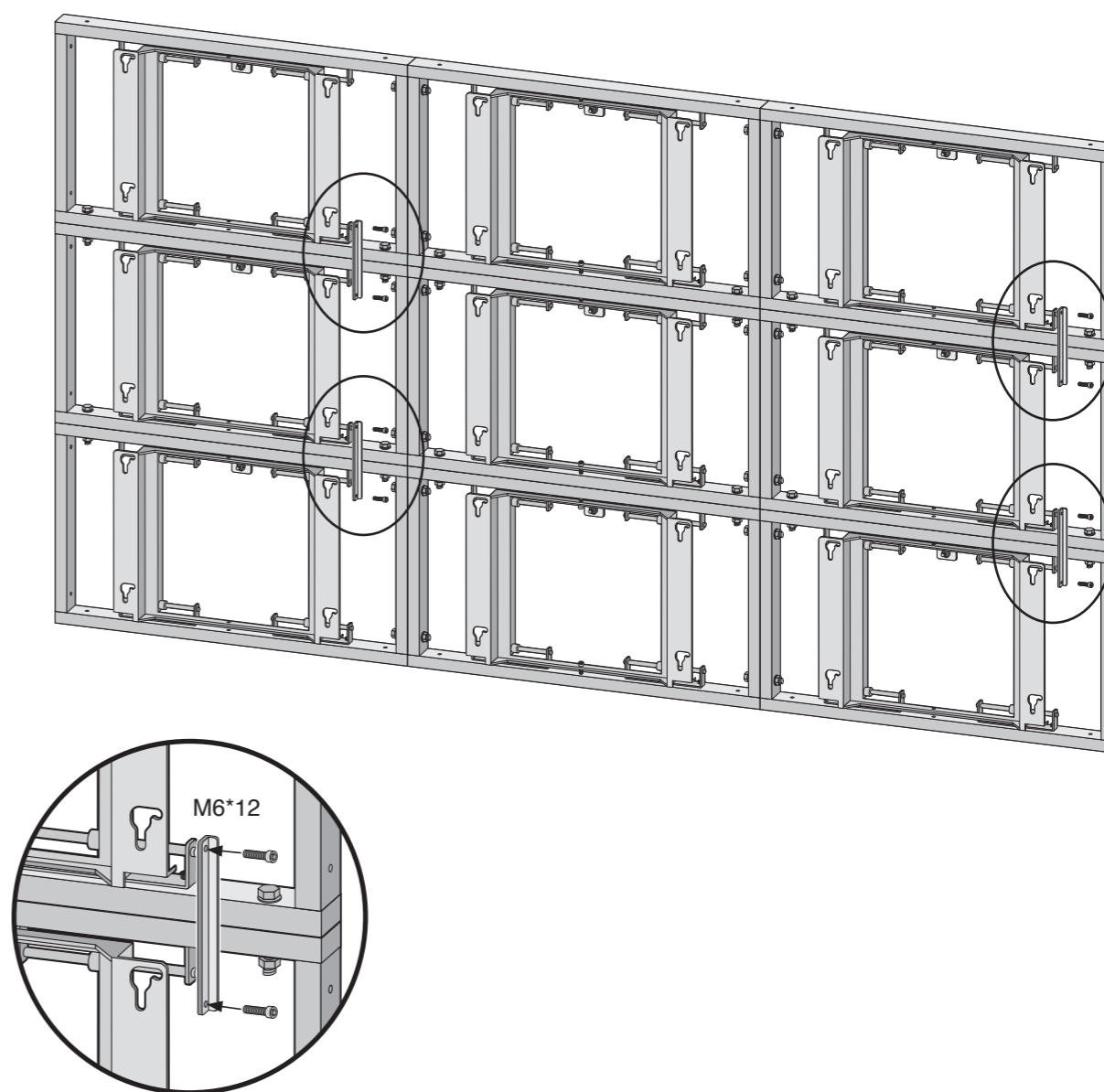
- To move the brackets to left or right in the main frame, remove M6*25 screws upper and lower sides of each main frame. You can move main frame to the left or right sides to install MPDP.



Remove 6 M6*25 screws upper and lower sides of each line of main frame with 5mm wrench.

7 Fasten Main Frames with "Main Frame Link".

- To move the main frames of same column simultaneously, fasten main frames of each line with the brackets in the right side.

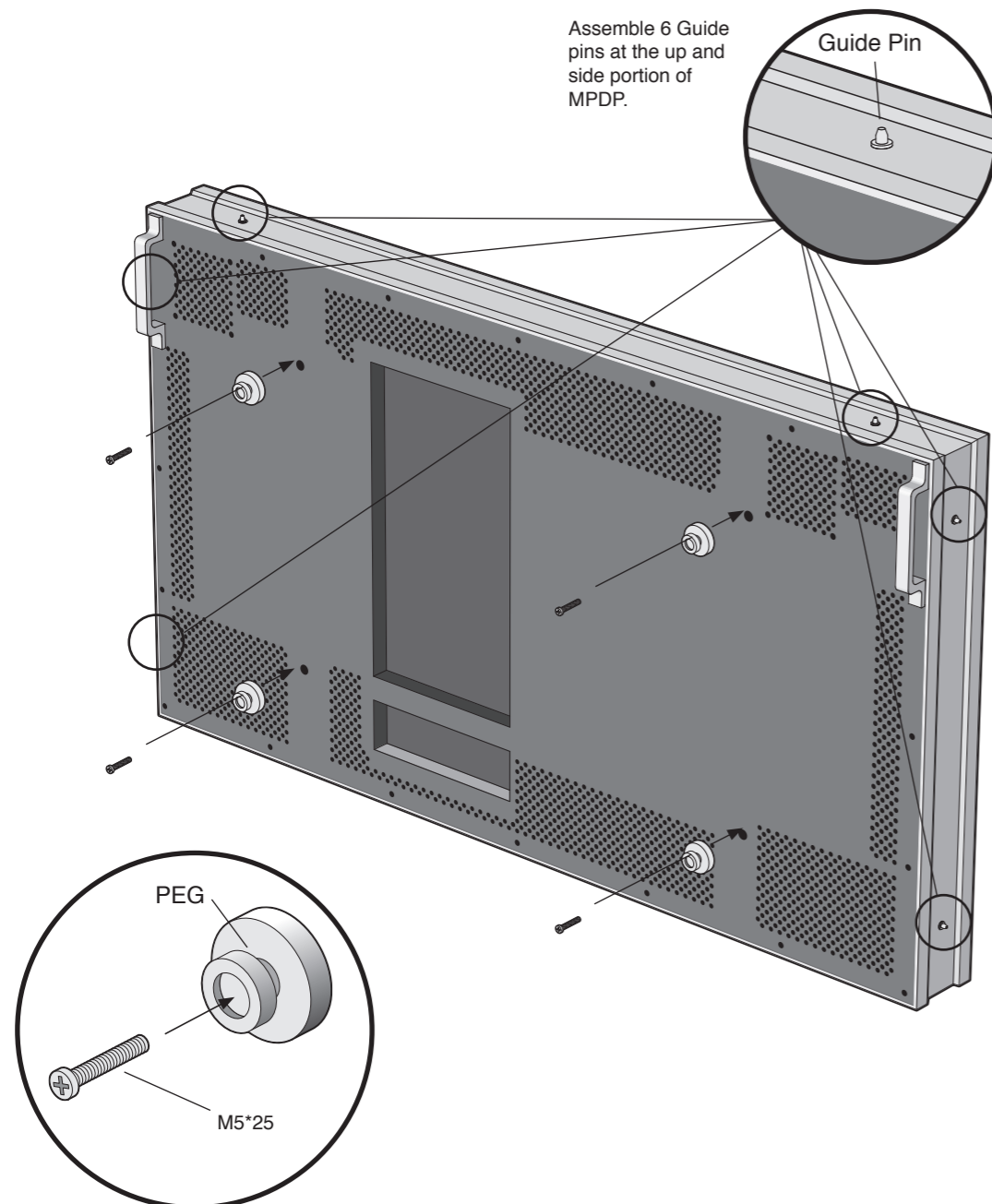


Fasten main frames and main frame link at 8 positions with M6*12 bolts. Use enclosed 5mm wrench.

5. Installing MPDP

1 Assemble "PEG" and "GUIDE PIN" to MPDP.

- Assemble 4 PEGs in the back and 6 Guide Pins at the side of MPDP.



Assemble 6 Guide pins at the up and side portion of MPDP.

Guide Pin

PEG

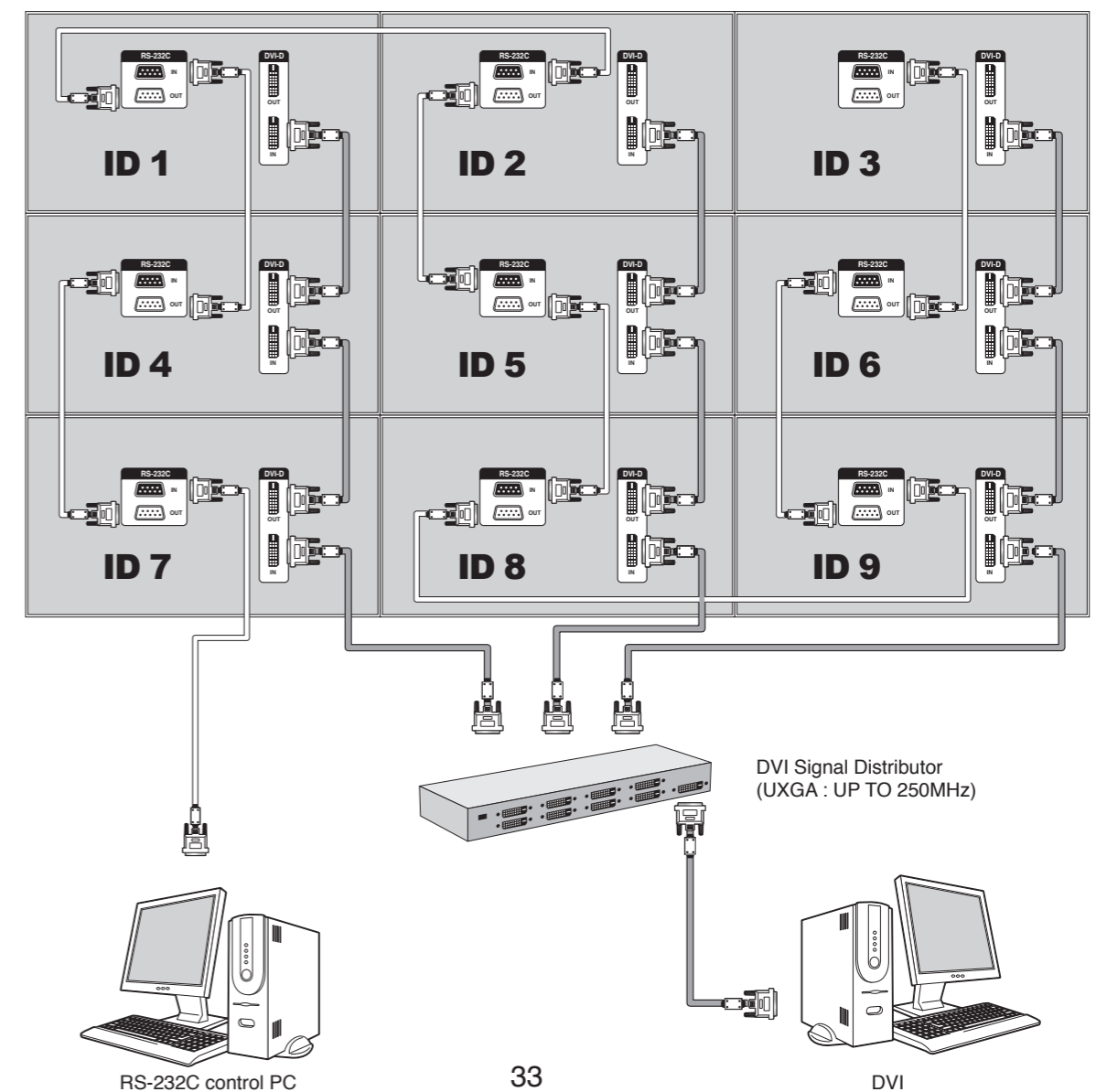
M5*25

Fasten 4 PEGs in the back of MPDP with M5*25 bolts.

2 Set MPDP ID and connect all the necessary external devices and power.

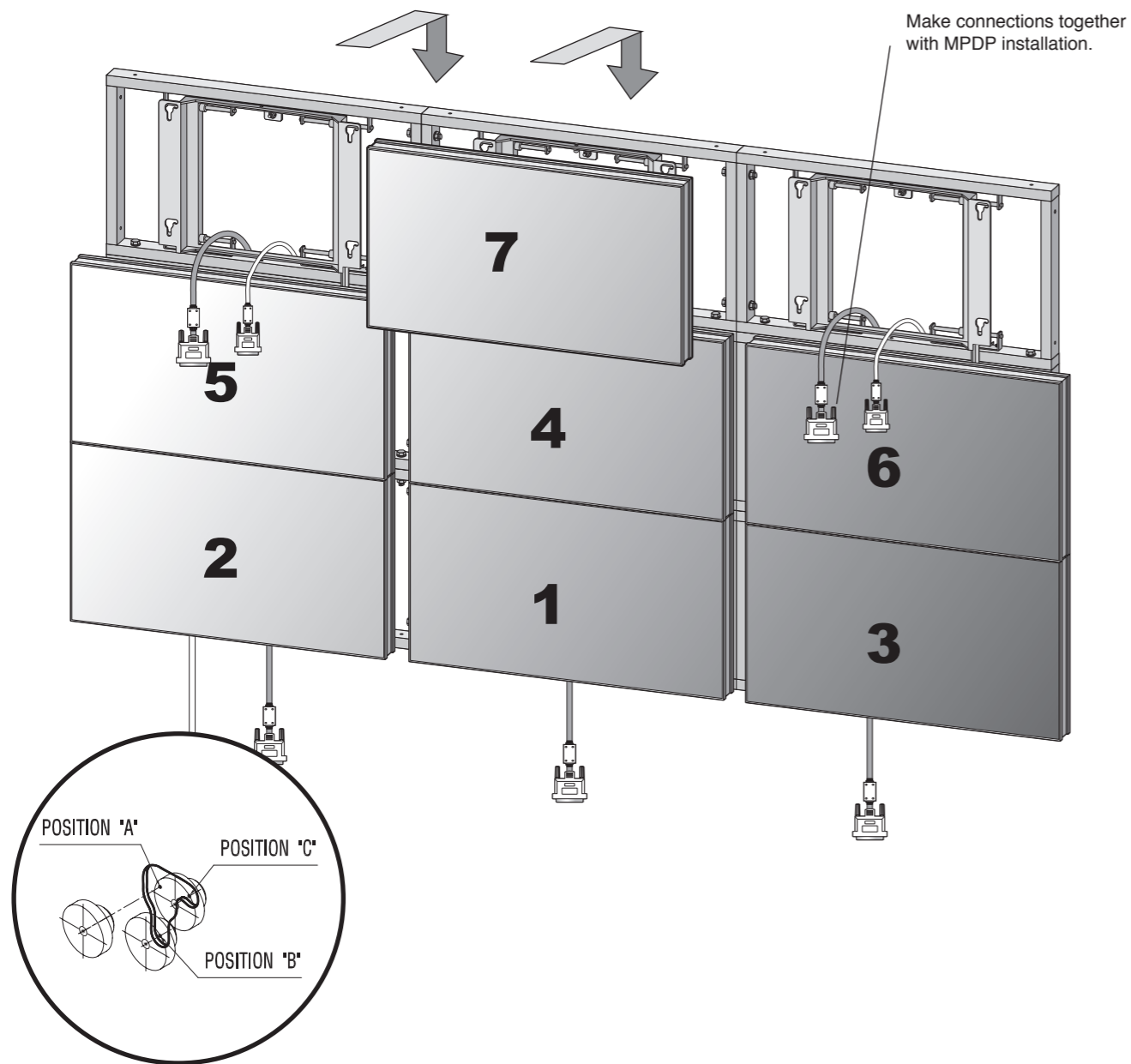
- Set ID, make necessary connections and power before hang the MPDP sets on the wall.
- There is no room for such work after installation.
- Set MPDP ID as shown in the following figure.
- Make necessary connections such as speakers, VCR, DVD, PC and power, etc one by one.
- Neatly arrange all the connection cables. If they are stretched out or disorganized, it may cause personal injury or bad connection

★ For more information for ID setting and connection, please refer to MPDP user manual.



3 Install MPDP sets from the bottom center.

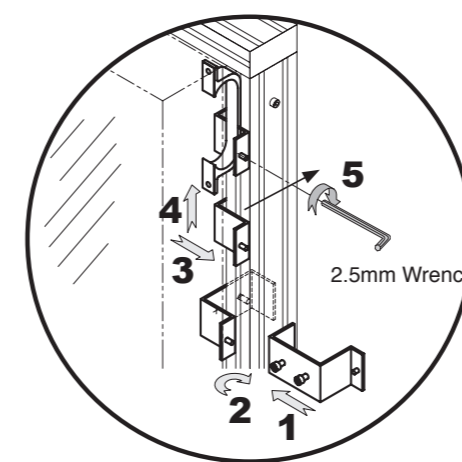
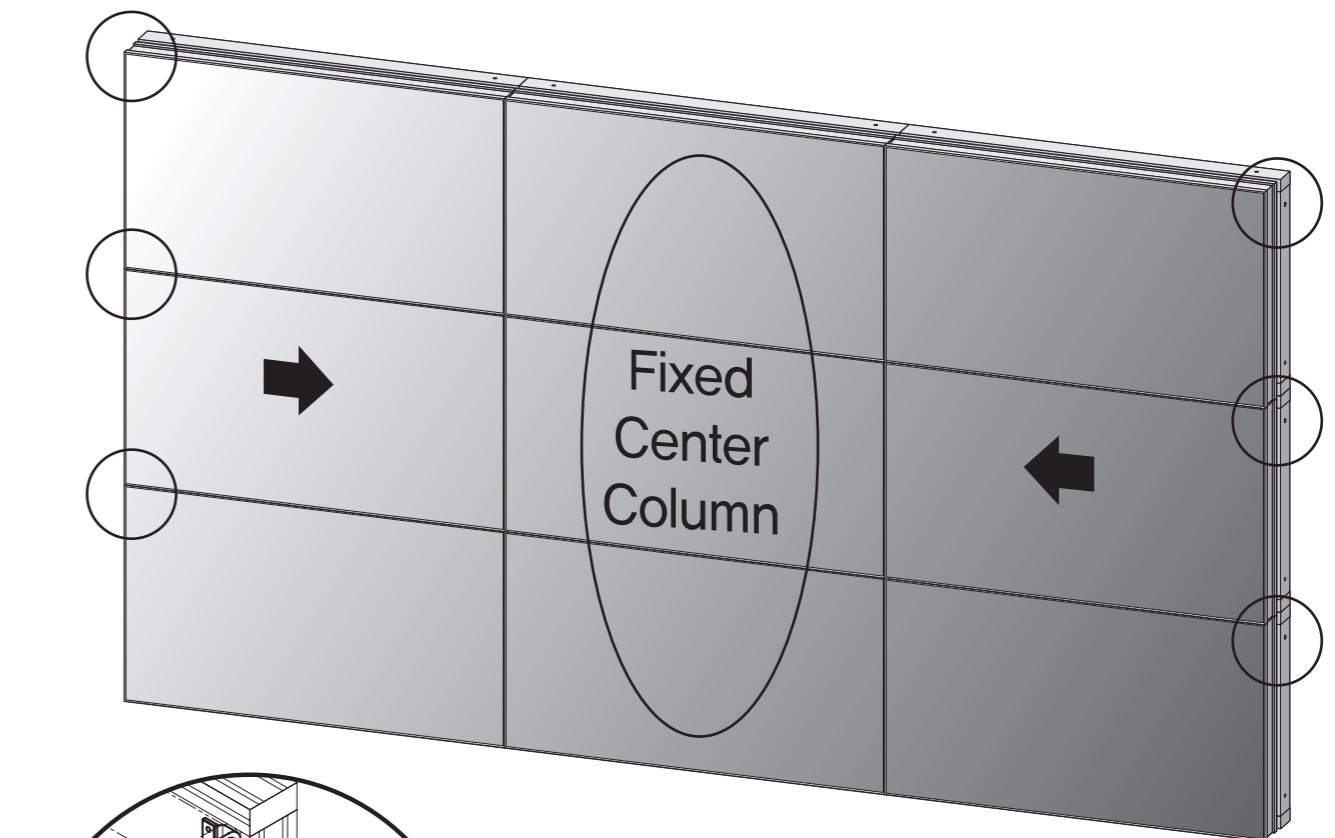
- Fit the PEGs to the holes in the main frame to install MPDP sets.
- Put down MPDP set slowly. Any impact to the set may damage the panel.
- Installation starts from the bottom center and move on to the bottom left and right sides.



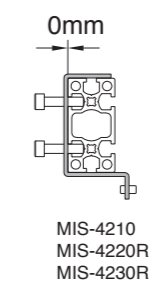
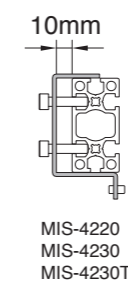
If you need to detach a MPDP set in the lower line, move the set in the upper line to position "C" Remove guide pins from the set in the lower line, move it to position "A" and detach from the main frame.

4 Push toward center column and fix after MPDP installation.

- Gently push MPDP sets in the side columns toward center and fix the position with "Fix Bracket".



Attach the fix bracket to the main frame and fix with fixing bolts next to MPDP handle. Use 2.5mm wrench.

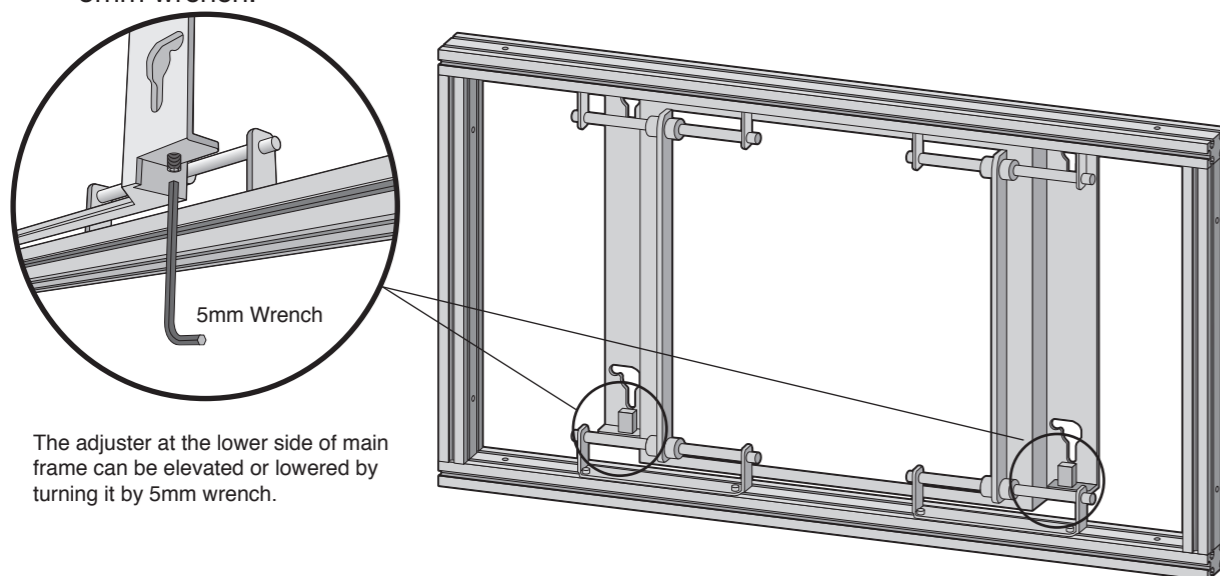


WALL UNIT

6. Adjusting the gaps between MPDP sets with an adjuster.

You can adjust the gaps between MPDP sets with an adjuster.

- If the gaps between MPDP sets are getting wider or inclined, adjust with the adjuster.
- Two adjusters are located at the lower side of each main frame and can be adjusted by 5mm wrench.



External dimension	924.5mm[W] X 521.7mm[H] X 95mm[D]
Weight	13kg (±1kg)